

TCCR12048

Obiettivo bi-telecentrico CORE per sensori da 1/2", ingrandimento 0,134x, C-mount

CARATTERISTICHE

Part number (8)		TCCR12048
Ingrandimento	(x)	0.134
Image shape dimension (9)	(\emptyset , x mm)	$\emptyset=8.0$, x=7.1
Phase adjustment (7)		Yes

Campo visivo oggetto (6)

Con sensore 1/3" (4.8 x 3.6 mm)	(mm x mm)	35.9 x 26.9
Con sensore 1/2.5" (5.70 x 4.28 mm)	(mm x mm)	42.5 x 31.9
Con sensore 1/2" (6.4 x 4.8 mm)	(mm x mm)	47.8 x 35.9
Con sensore 1/1.8" (7.13 x 5.37 mm)	(mm x mm)	53.0 x 40.1
Con sensore 2/3" - 5 MP (8.45 x 7.07 mm)	(mm x mm)	$\emptyset=60$, x=53

Specifiche ottiche

Distanza di lavoro (1)	(mm)	132.9
wF/# (2)		8
Telecentricità tipica (max) (3)	(deg)	< 0.07 (0.10)
Distorsione tipica (max) (4)	(%)	< 0.06 (0.10)
Profondità di campo (5)	(mm)	37
CTF @ 70 lp/mm	(%)	> 40

Dimensioni

Mount		C
A	(mm)	77
B	(mm)	106
C	(mm)	115
Massa	(g)	1083

Compatibilità

LTCLCR048-x, CMHOCR048, CMPTCR048, LTCLHP048-x

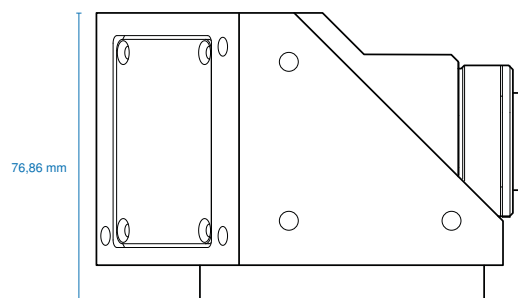
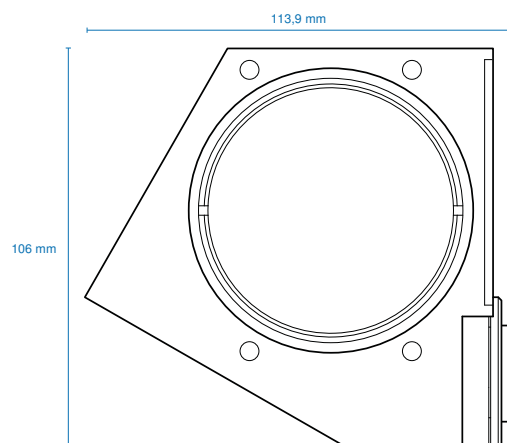
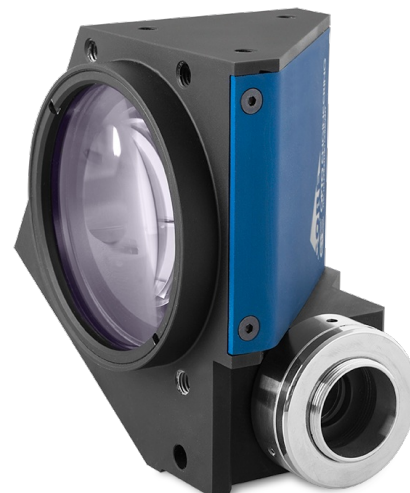
NOTE

- Working distance: distance between the front end of the mechanics and the object. Set this distance within +/- 3% of the nominal value for maximum resolution and minimum distortion.
- Working F-number (wF/#): the real F-number of a lens when used as a macro. Lenses with smaller apertures can be supplied on request.
- Maximum slope of chief rays inside the lens: when converted to millirad, it gives the maximum measurement error for any millimeter of object displacement. Typical (average production) values and maximum (guaranteed) values are listed.
- Percent deviation of the real image compared to an ideal, undistorted image: typical (average production) values and maximum (guaranteed) values are listed.
- At the borders of the field depth the image can be still used for measurement but, to get a perfectly sharp image, only half of the nominal field depth should be considered. Pixel size used for calculation is 5.5 μ m.
- In case of vignetting, FOV dimensions are indicated with " \emptyset = , x = ", where " \emptyset =" stands for diameter and "x=" indicates the nominal FOV height and length (see [Tech Info](#) for related drawing).
- Indicates the availability of an integrated camera phase adjustment feature.
- Due to the special shape of TCCR120xx it might be necessary to check the mechanical compatibility with your camera.
- Indicates the dimensions and shape of image, where " \emptyset =" stands for diameter and "x=" indicates the nominal image height and length ([Tech Info](#) for related drawing).

PRODOTTI COMPATIBILI

Serie LTCLHP
Illuminatori telecentrici ad alte prestazioni

LTCLHP048-R	Illuminatore telecentrico HP, diametro fascio luminoso 60 mm, rosso
LTCLHP048-G	Illuminatore telecentrico HP, diametro fascio luminoso 60 mm, verde
LTCLHP048-B	Illuminatore telecentrico HP, diametro fascio luminoso 60 mm, blu



LTCLHP048-W Illuminatore telecentrico HP, diametro fascio luminoso 60 mm, bianco



Serie LTCLHP CORE

Illuminatori telecentrici ultracompati

LTCLCR048-R Illuminatore telecentrico CORE, diametro del fascio luminoso 45 mm, rosso

LTCLCR048-G Illuminatore telecentrico CORE, diametro del fascio luminoso 45 mm, verde

LTCLCR048-W Illuminatore telecentrico CORE, diametro del fascio luminoso 45 mm, bianco



Serie CMHOCR

Supporti meccanici serie CORE

CMHOCR048 Supporti meccanici per obiettivi telecentrici CORE e illuminatori Ø 48mm



Serie CMPTCR

Piastre di montaggio serie CORE

CMPTCR048 Componenti meccanici progettati per obiettivi telecentrici CORE e illuminatori Ø 48mm
