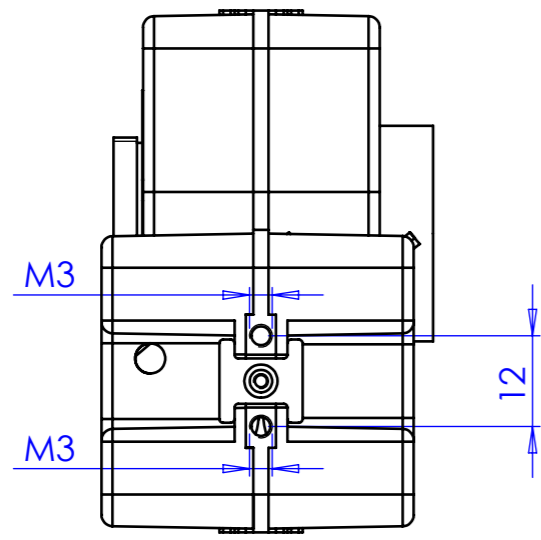
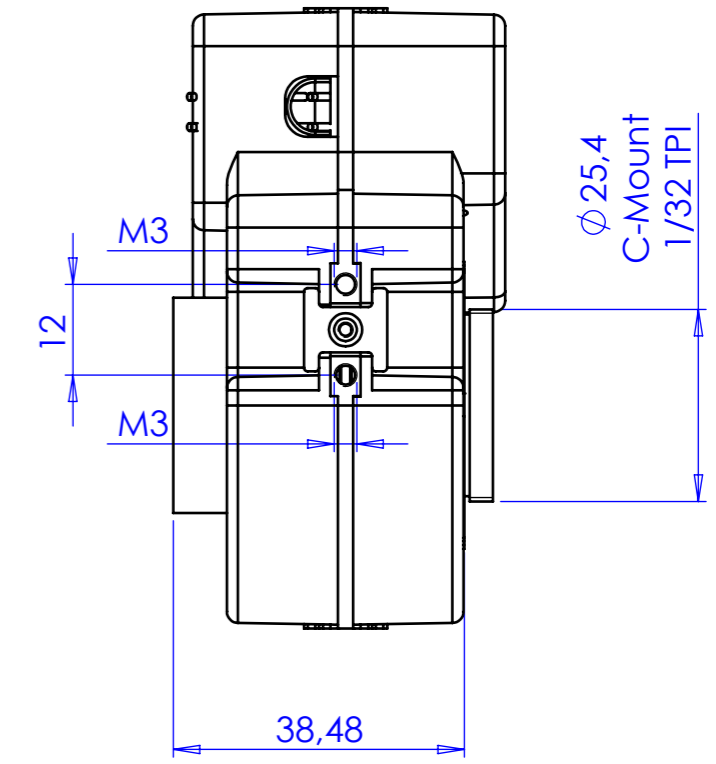
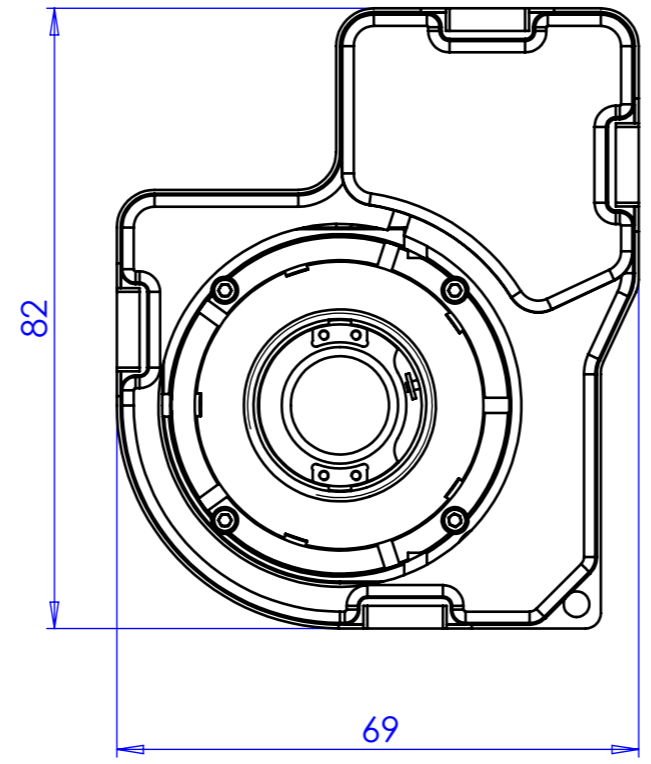
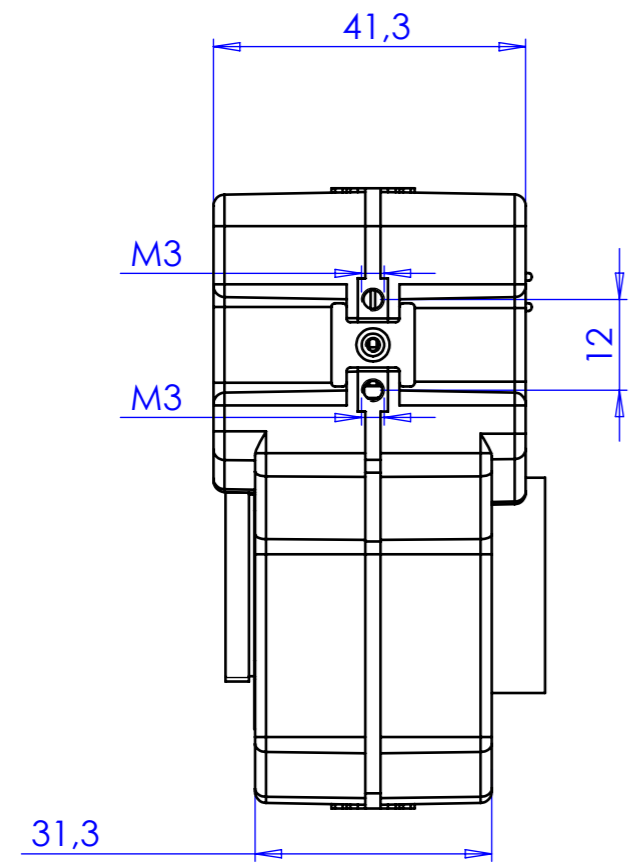
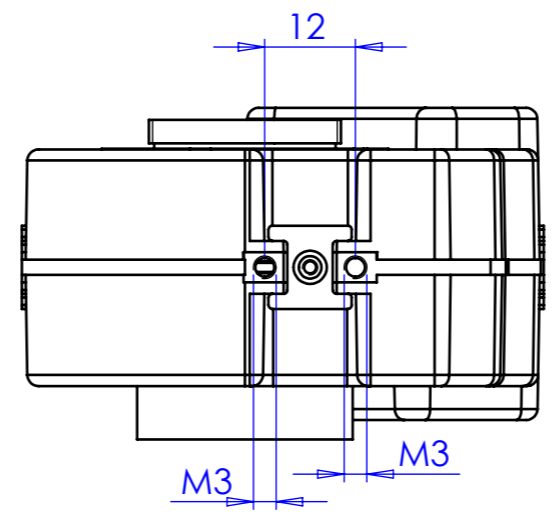


1 2 3 4 5 6 7 8

Rev No.	Description	Date	Name



Material	N.A.		Mass	268 g	Scale	1:1
Surface treatment	N.A.		Part No.	CO24432		
Geometrical tolerance (ISO 2768-2)			Class	K	Undimensioned bevels	0.5x45°
Linear tolerance (ISO 2768-2)			Class	m	Undimensioned radii	R 0.5
0.5	>3±	>6±	>30±	>120	>400±	>1000
±3	6	30	120	±400	1000	±2000
±0.1	±0.1	±0.2	±0.3	±0.5	±0.8	±1.2
±0.1	±0.1	±0.2	±0.3	±0.5	±0.8	±1.2
Date			Name		Description	
Designed 03/07/2015			LSantini		ENMT M1224	
Drawn 20/11/2015			Vasconetto		Drawing No. DP 24432-A	
Checked					Sheet 1/1	
Secret and confidential - All rights reserved - No copy, dissemination or circulation is allowed unless specifically authorized in writing by OPTO ENGINEERING S.r.l. - Any violation shall be legally prosecuted.						

all dimensions are in mm


OPTO ENGINEERING S.r.l. - Mantova Italy - Tel. +39 0376 699111 - www.opto-engineering.com

1 2 3 0 1 2 3 4 5 6 7 8 9 10 6 7 8