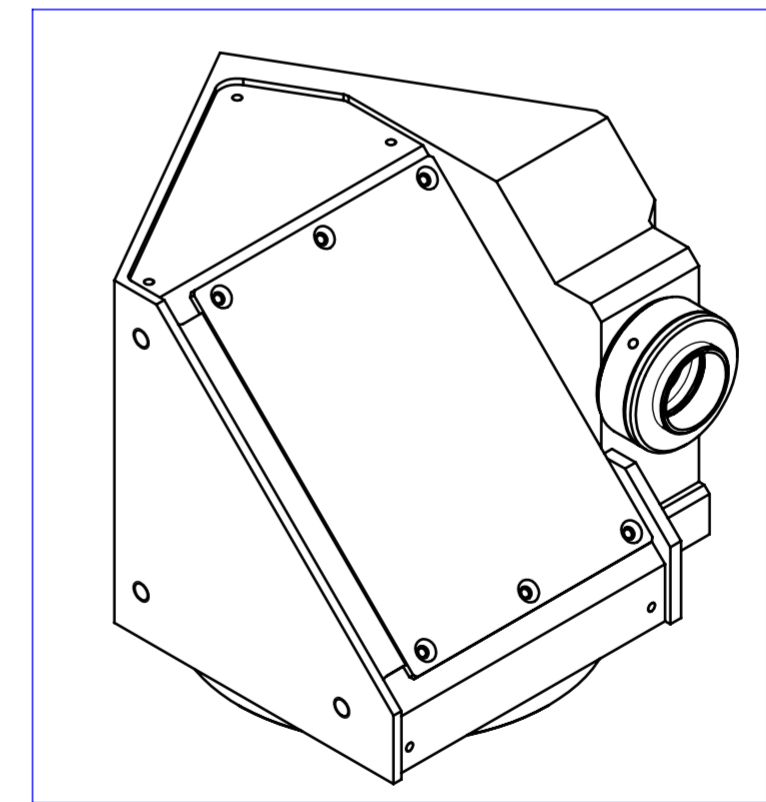
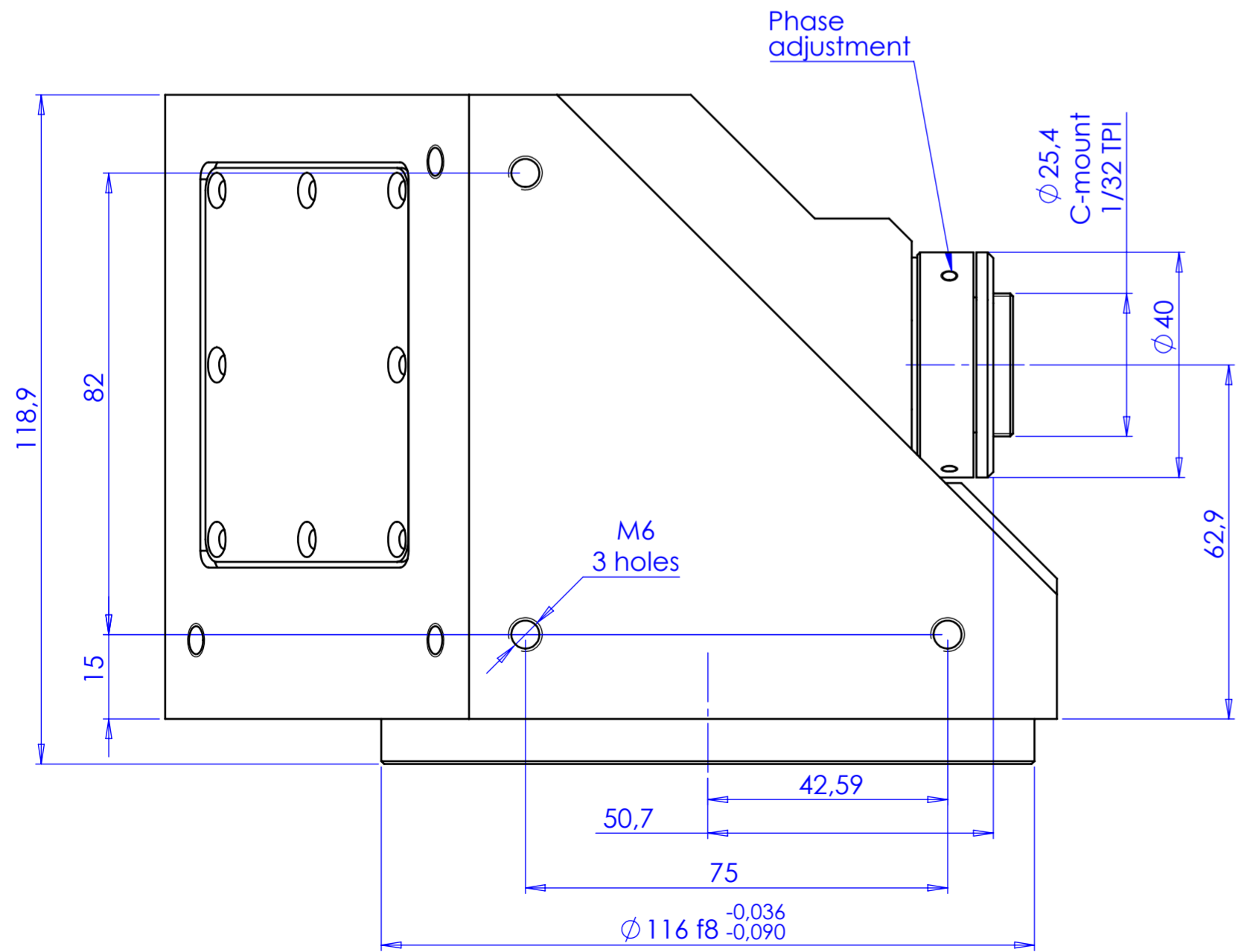
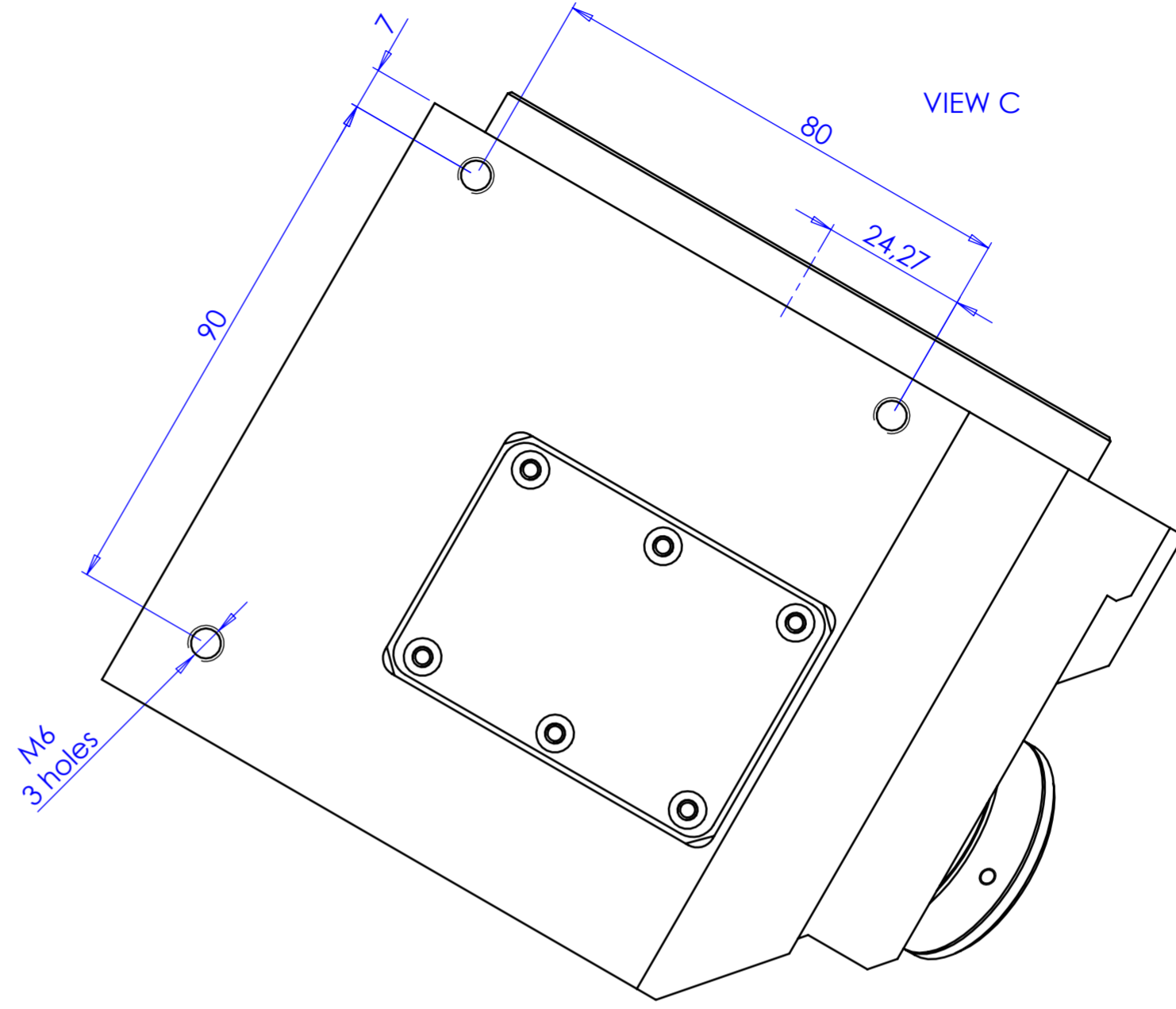
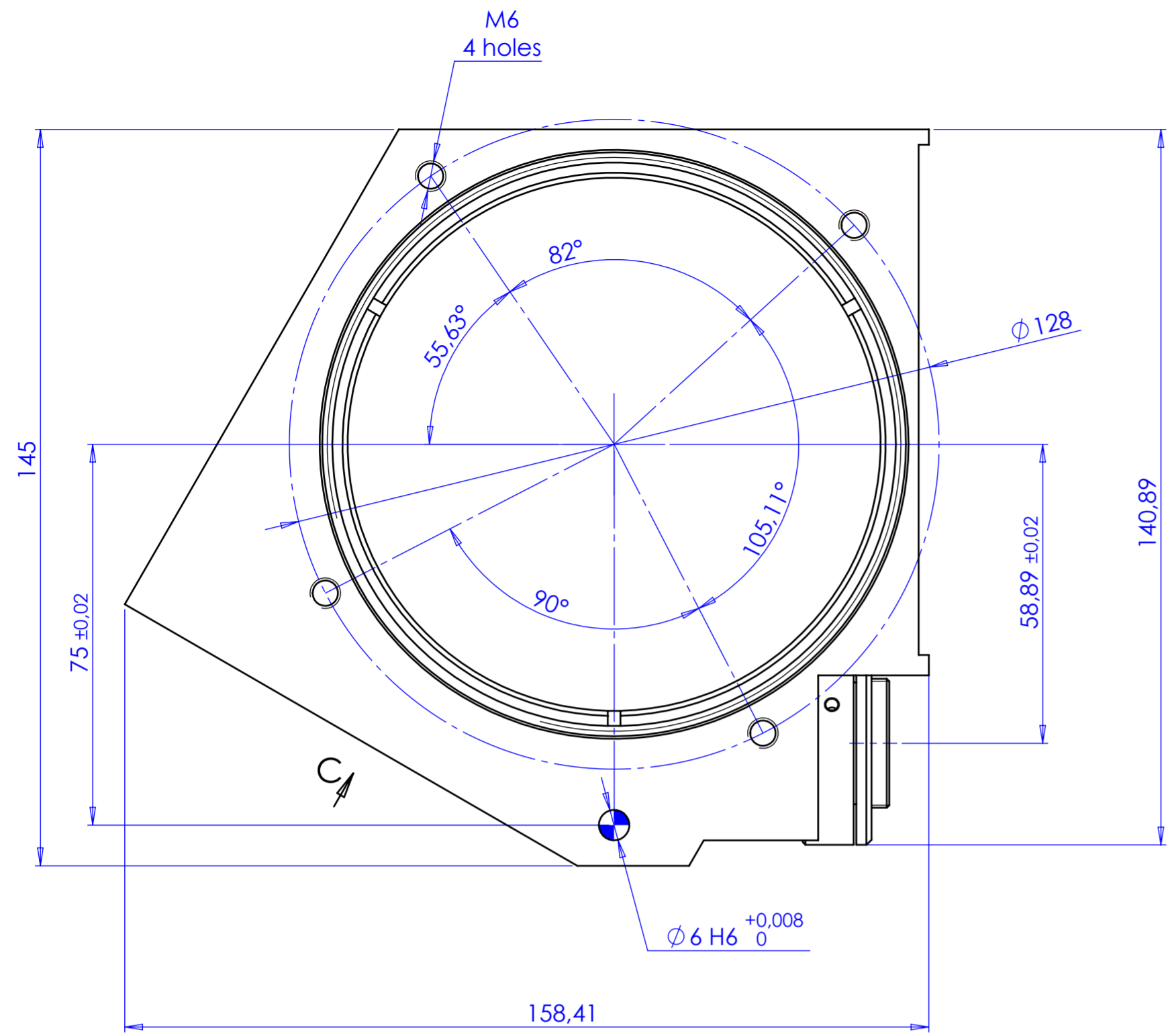


Rev No.	Description	Date	Name
B	Aggiunte quote	27/01/2017	Rodella



Material	N.A.	Mass	3251 g	Scale	1:1
Surface treatment	N.A.	Part No.	CO23971		
Geometrical tolerance (ISO 2768-2)	Class		K	Undimensioned bevels	0.5x45°
Linear tolerance (ISO 2768-2)	0.5	>3+	>6+	>30+	>120
	+3	6	30	120	+400
	$\pm 0.1$	$\pm 0.1$	$\pm 0.2$	$\pm 0.3$	$\pm 0.5$
					$\pm 0.8$
					$\pm 1.2$
					$\pm 2$
				Undimensioned radii	R 0.5
Description		TCCR12080			
Drawing No.		DP 23971-B			
Date		14/05/2015			
Name		Vasconetto			
Designed		16/07/2015			
Drawn		Rodella			
Checked					
Sheet		1/1			