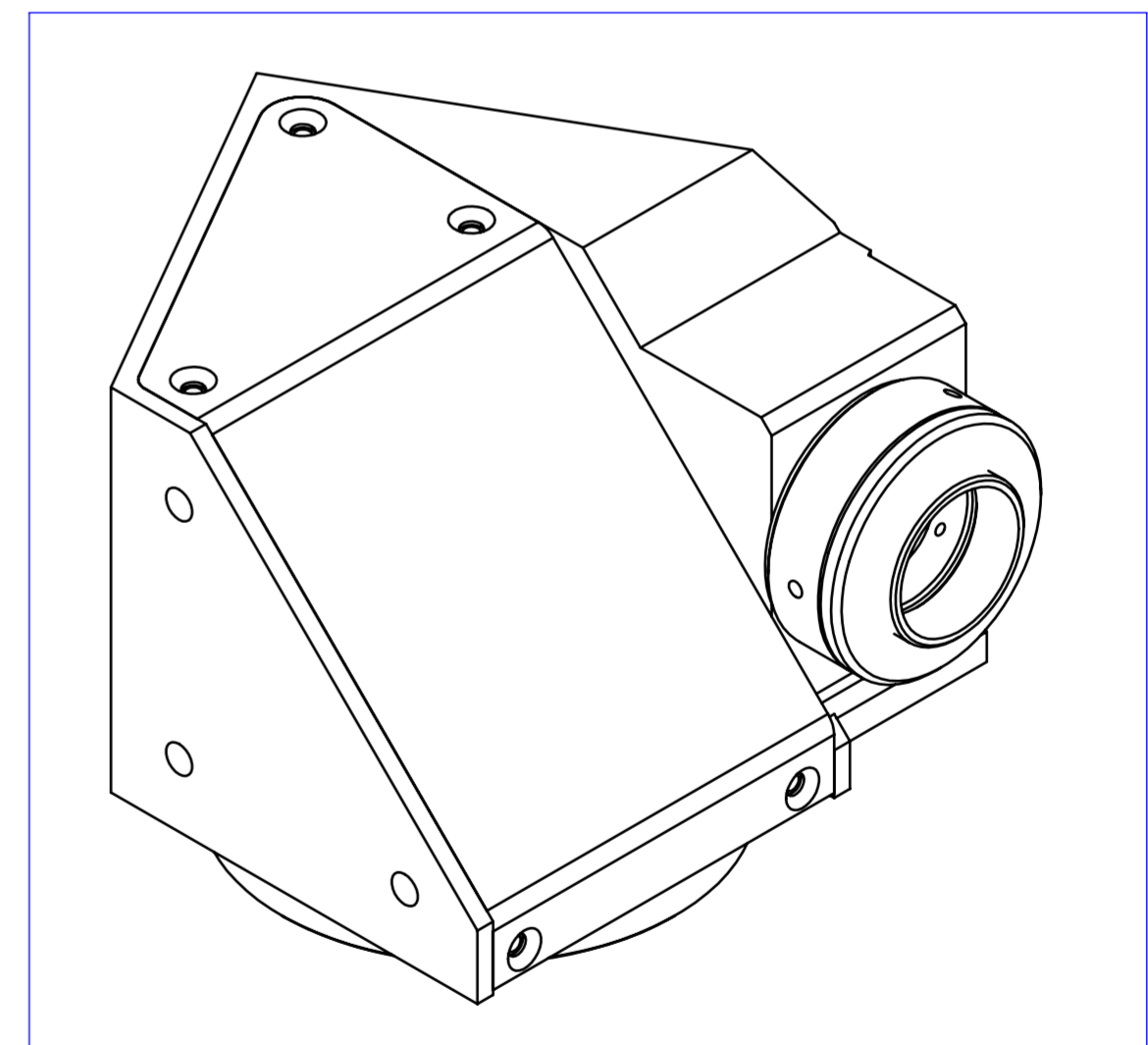
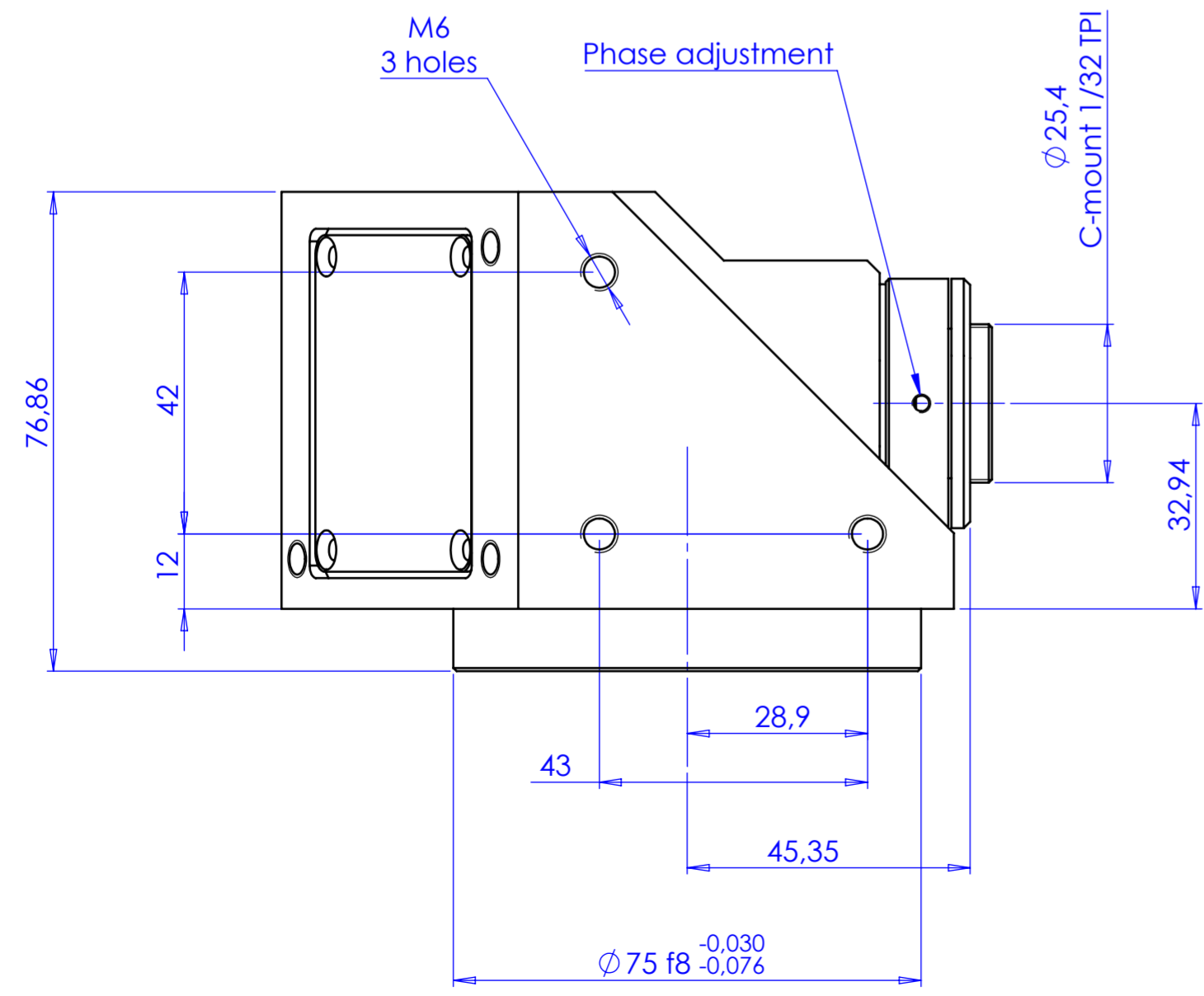
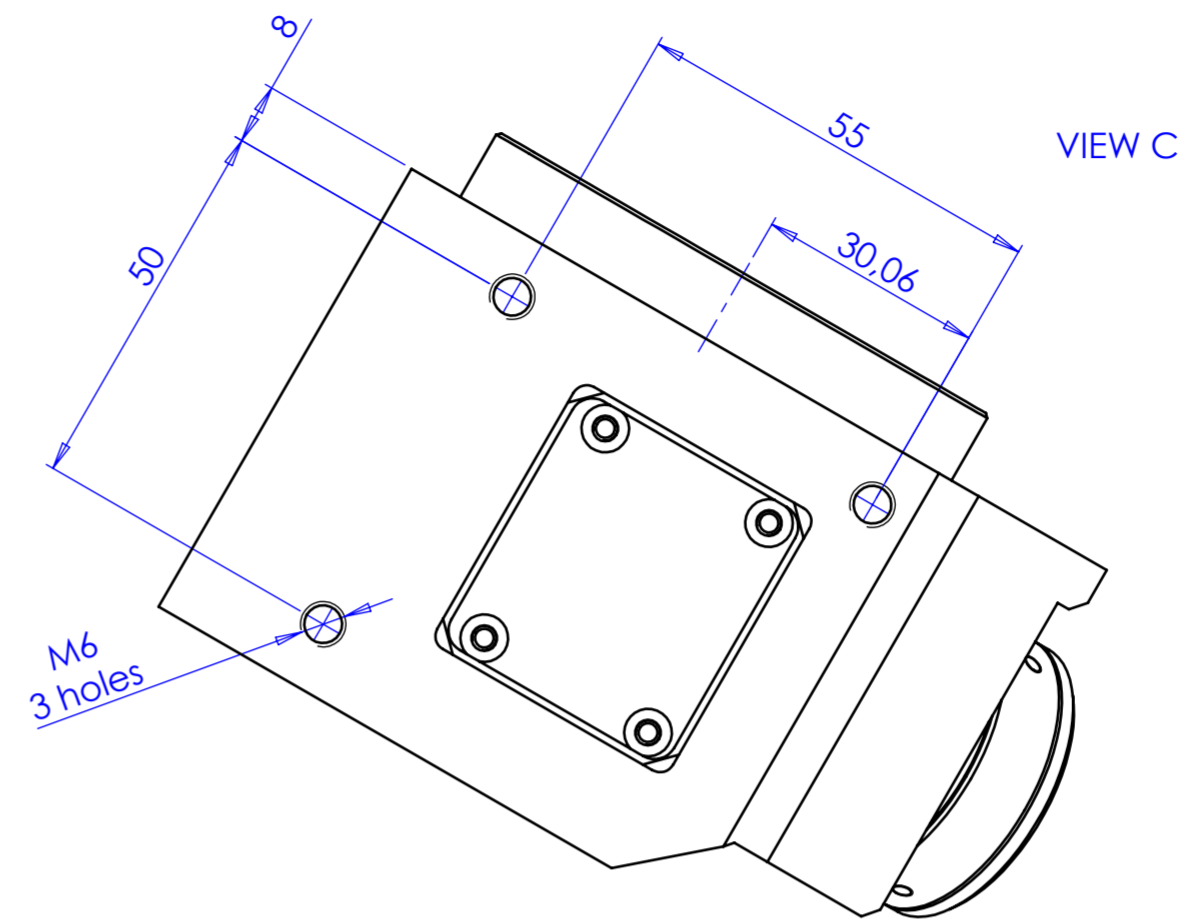
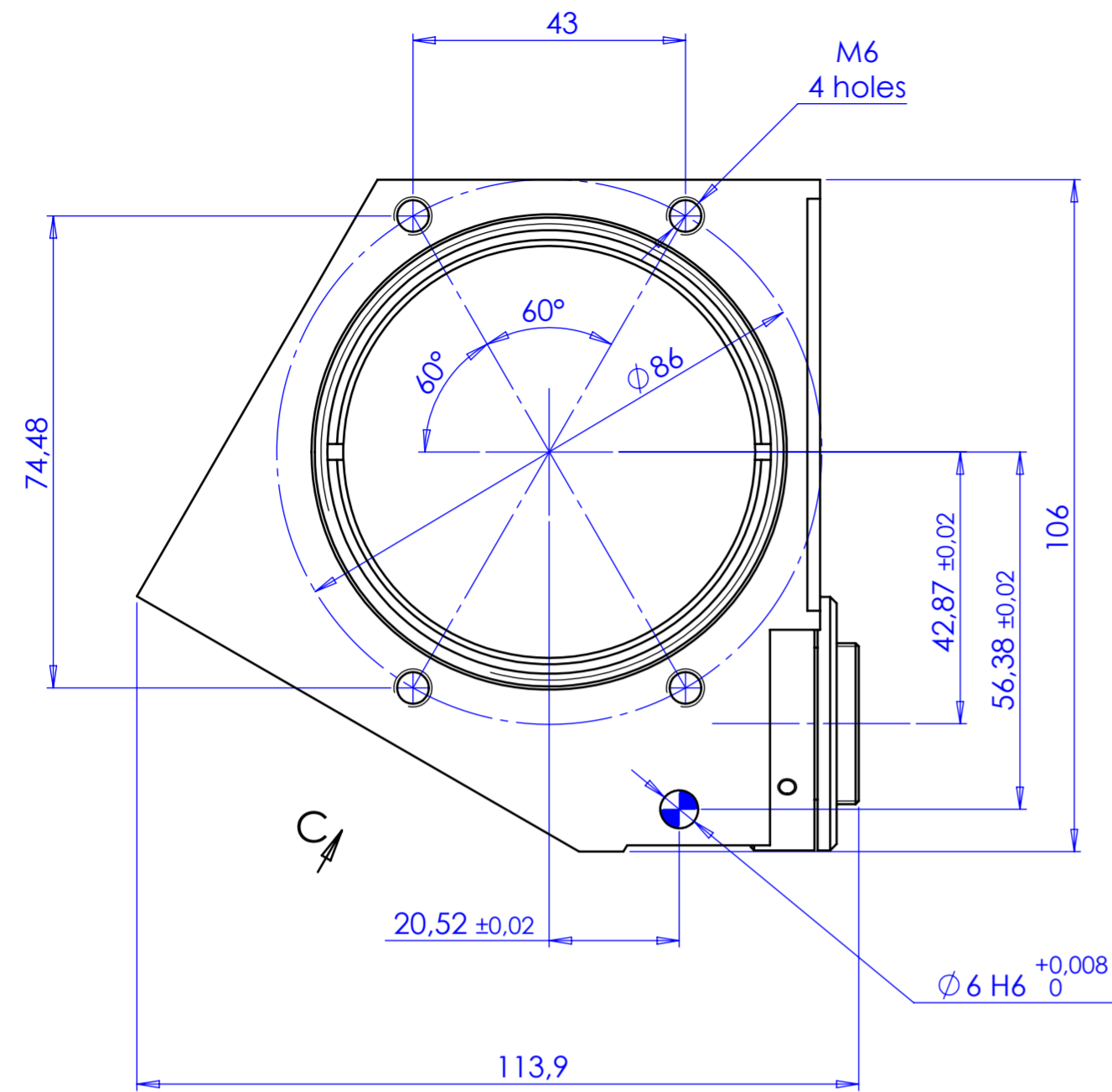


Rev No.	Description	Date	Name
B	Aggiunte quote	10/01/2017	Rodella



Material	N.A.	Mass	1128 g	Scale	1:1					
Surface treatment	N.A.	Part No.	CO23968							
Geometrical tolerance (ISO 2768-2)	Class	K	Undimensioned bevels	0,5x45°	Description					
Linear tolerance (ISO 2768-2)	Class	m	Undimensioned radii	R 0,5	TCBN12048					
0,5	>3+	>6+	>30+	>120	>400+	>1000	>2000	>4000	Drawing No.	Sheet
+3	6	30	120	+400	1000	+2000	+4000	Date		
+0,1	+0,1	+0,2	+0,3	+0,5	+0,8	+1,2	+2		Designed	04/03/2015
all dimensions are in mm		OPTO ENGINEERING THE OPTIC COMPANY		Drawn	16/07/2015	Rodella	Checked	Drawing No.		DP 23968-B
OPTO ENGINEERING S.r.l. - Mantova Italy - Tel. +39 0376 699111 - www.opto-engineering.com Secret and confidential - All rights reserved - No copy, dissemination or circulation is allowed unless specifically authorized in writing by OPTO ENGINEERING S.r.l. - Any violation shall be legally prosecuted.										