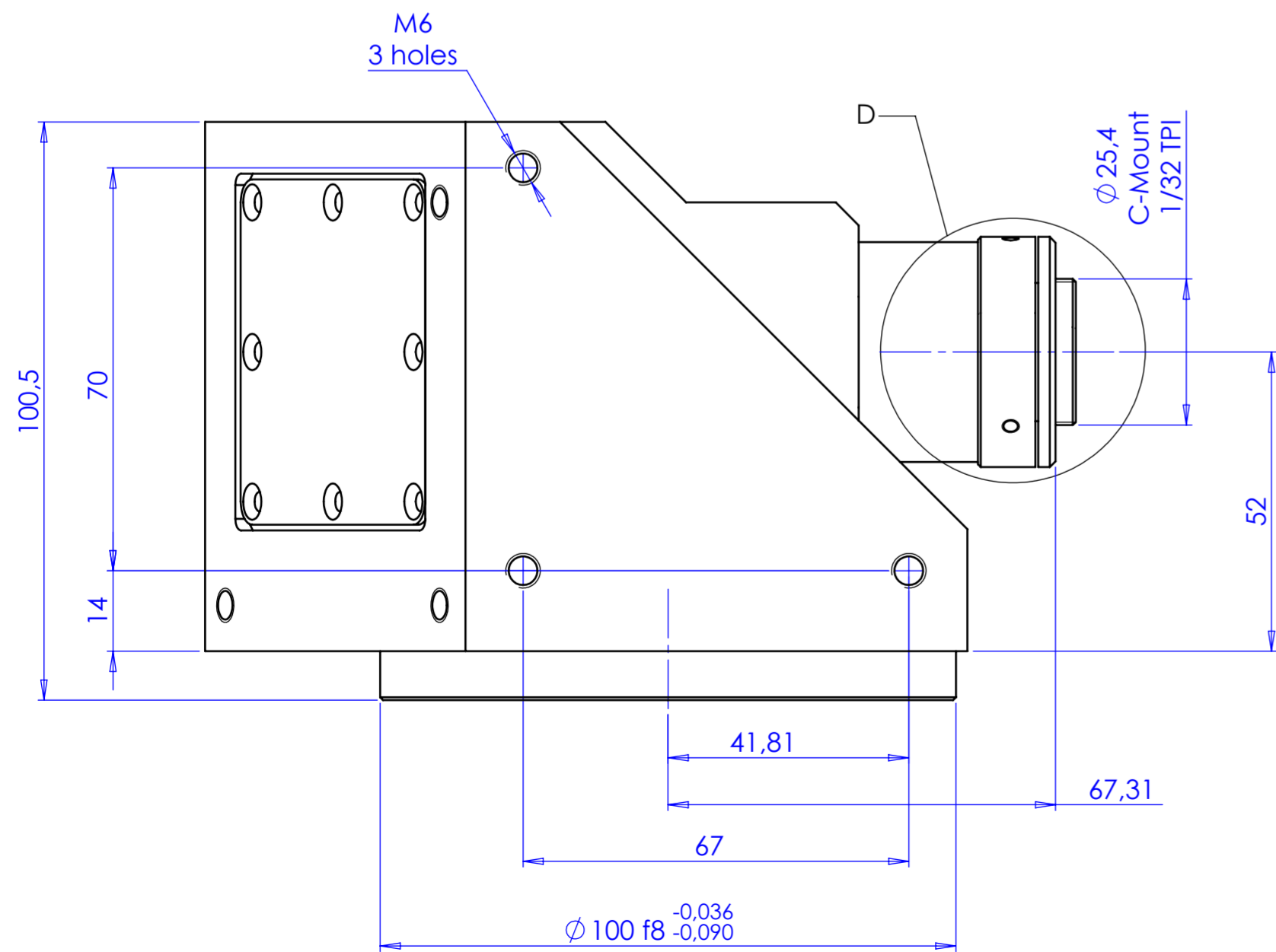
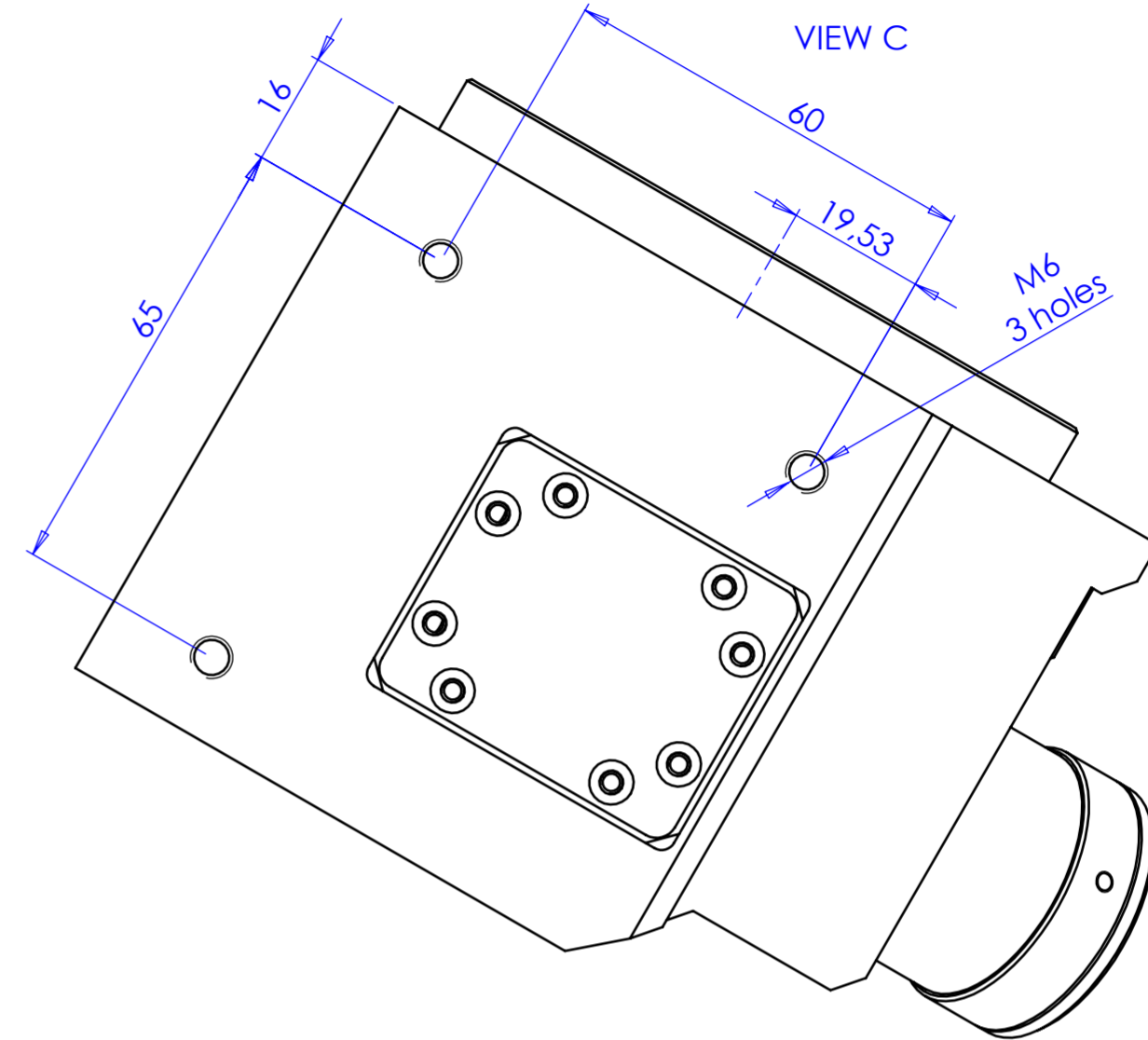
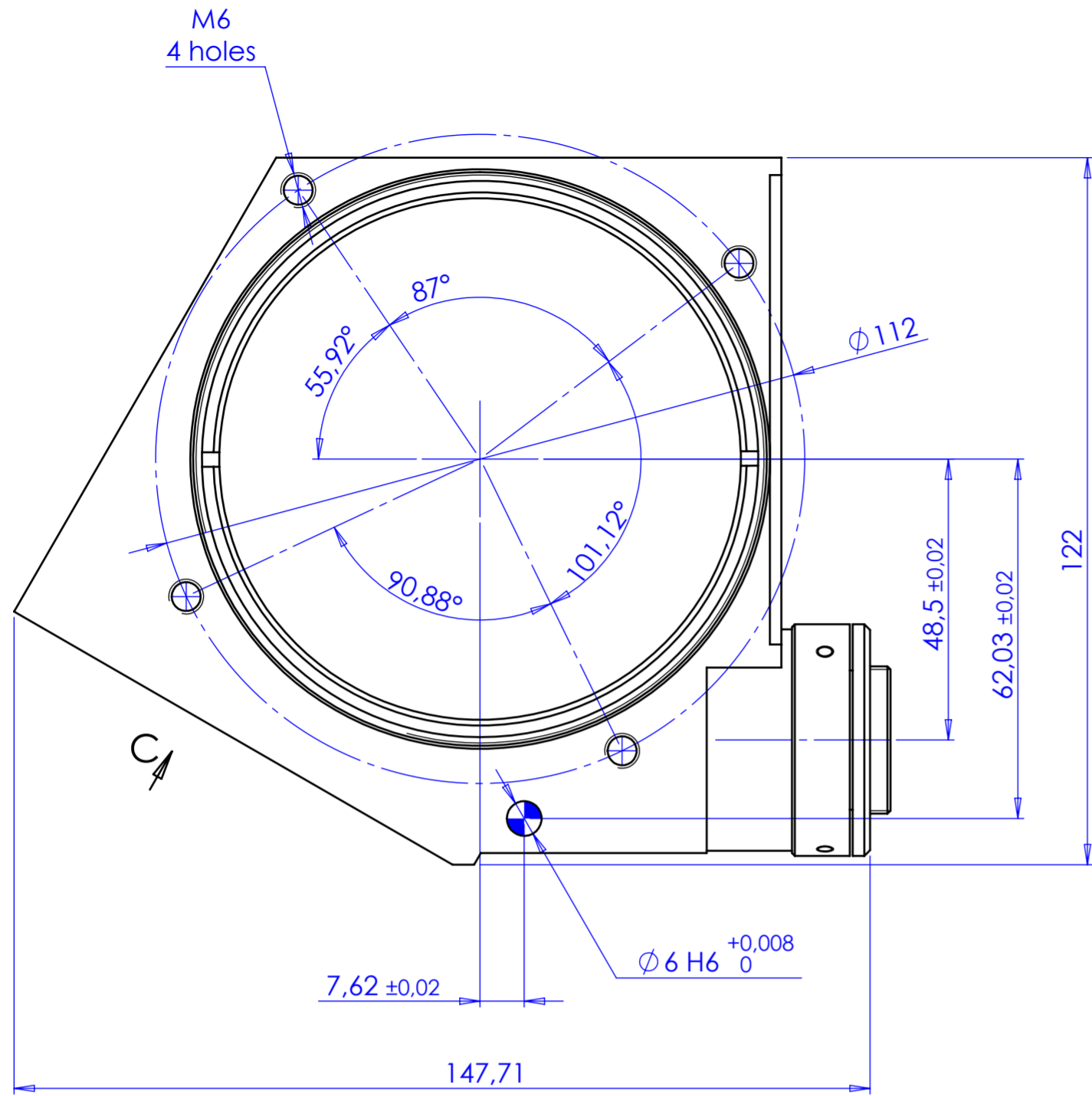
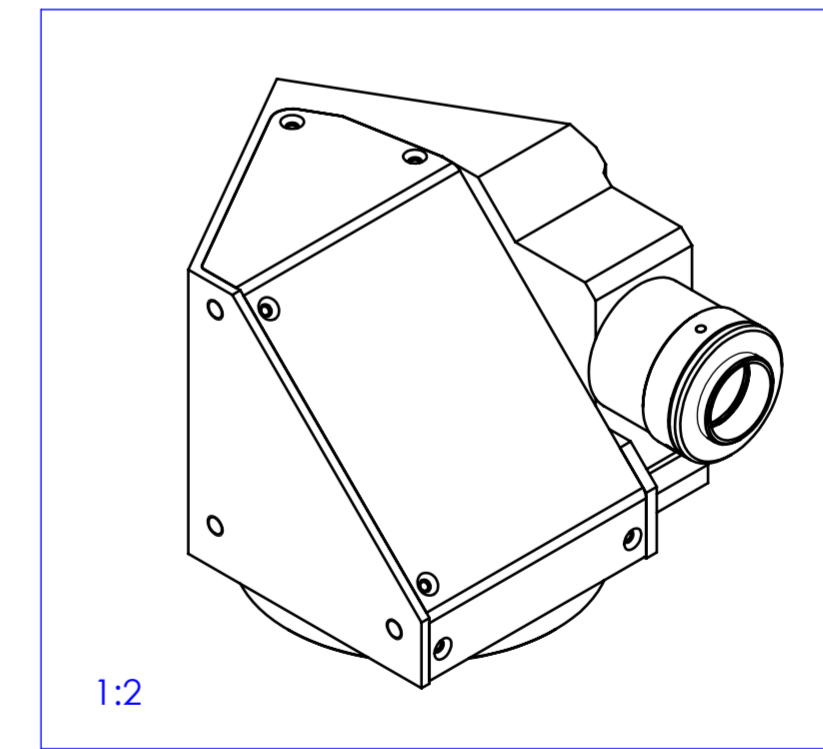
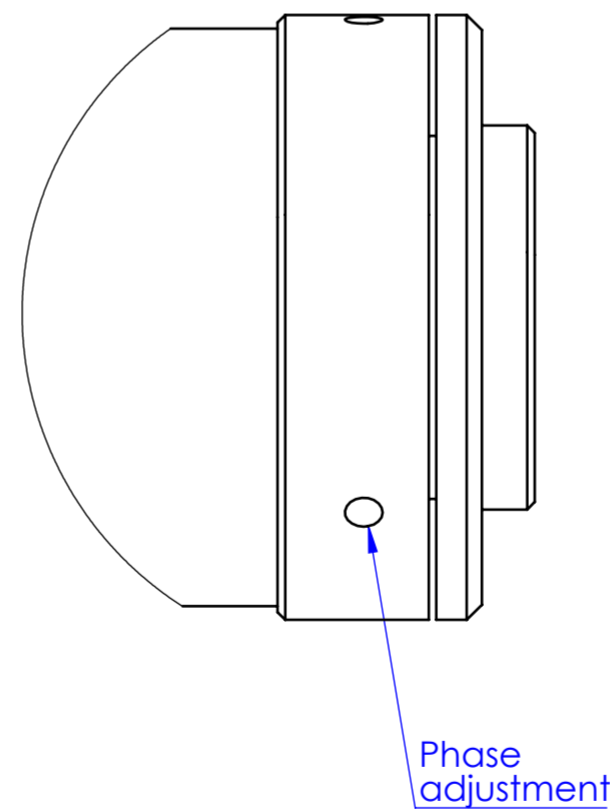


Rev No.	Description	Date	Name
B	Aggiunte quote	17/01/2017	Rodella



DETAIL D
SCALE 2 : 1



Material	N.A.	Mass	2051 g	Scale	1:1						
Surface treatment	N.A.	Part No.	CO23940								
Geometrical tolerance (ISO 2768-2)	Class	K	Undimensioned bevels	0.5x45°	Description						
Linear tolerance (ISO 2768-2)	Class	m	Undimensioned radii	R 0.5	TCCR23064						
0.5	>3+	>6+	>30+	>120	>400+	>1000	>2000	>4000	Drawing No.	Sheet	
+3	6	30	120	+400	1000	+2000	+4000	DP 23940-B			1/1
+0.1	±0.1	±0.2	±0.3	±0.5	±0.8	±1.2	±2				
Designed		Date		Name		Drawing No.			Sheet		
DRAWING		04/05/2015		Vasconetto		CO23940		1/1			
Checked		20/07/2015		Rodella		DP 23940-B		1/1			

OPTO ENGINEERING S.r.l. - Mantova Italy - Tel. +39 0376 699111 - www.opto-engineering.com

Secret and confidential - All rights reserved -
No copy, dissemination or circulation is allowed unless
specifically authorized in writing by OPTO ENGINEERING
S.r.l. - Any violation shall be legally prosecuted.