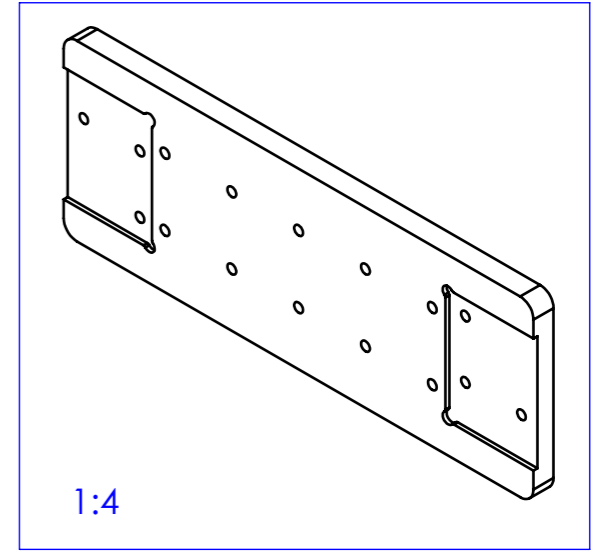
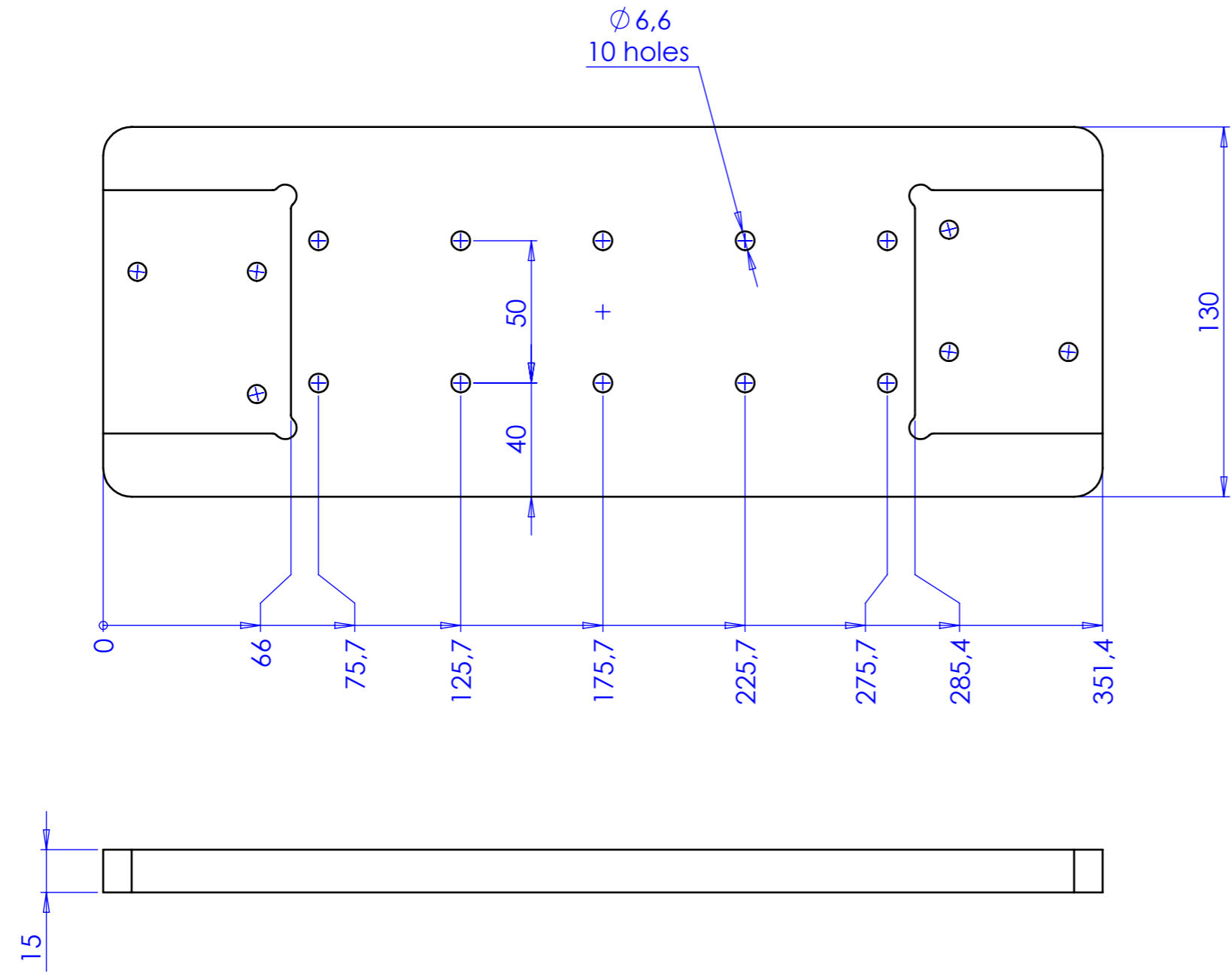


1 2 3 4 5 6 7 8

Rev No.	Description	Date	Name



D  
C  
B  
A

D  
C  
B  
A

Material <b>Aluminium - UNI-EN 573 EN AW 6082</b>		Mass <b>1722 g</b>		Scale <b>1:2</b>	
Surface treatment <b>Gray Satin Anodizing</b>		Part No. <b>CO23794</b>		Description <b>Plate</b>	
Geometrical tolerance (ISO 2768-2)		Class	K	Undimensioned bevels	0.5x45°
Linear tolerance (ISO 2768-2)		Class	m	Undimensioned radii	R 0.5
0.5 ±3	>3± 6	>6± 30	>30± 120	>120 ±400	>400± 1000
±0.1	±0.1	±0.2	±0.3	±0.5	±0.8
Date		Name		Drawing No.	
Designed 16/04/2015		Vasconetto		DP 23794-A	
Drawn 29/02/2016		Rodella		Sheet 1/1	
Checked					
<p>all dimensions are in mm</p> <p><b>OPTO ENGINEERING S.r.l. - Mantova Italy - Tel. +39 0376 699111 - www.opto-engineering.com</b></p> <p><i>Secret and confidential - All rights reserved - No copy, dissemination or circulation is allowed unless specifically authorized in writing by OPTO ENGINEERING S.r.l. - Any violation shall be legally prosecuted.</i></p>					

1 2 3 4 5 6 7 8

0 1 2 3 4 5 6 7 8 9 10