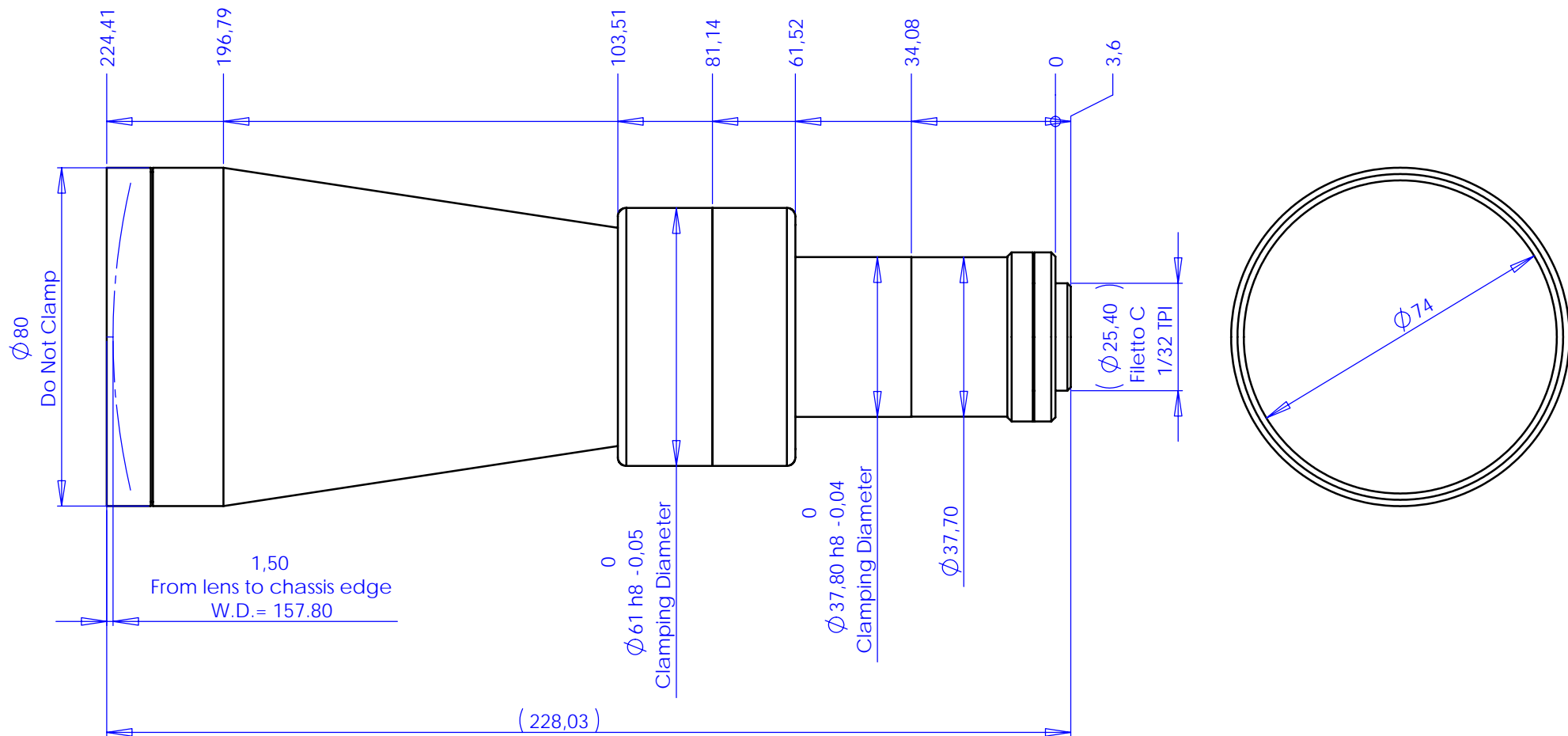


Rev No.	Description	Date	Name
D	Assieme TC2356 - Nuova Versione	25/03/06	A. Bnà



Material		Material		Scale	1:1																																														
Surface treatment		Project-Prod.Item/Instrument	TC 23 56																																																
<table border="1"> <thead> <tr> <th colspan="6">Geometrical tolerance (ISO 2768-2)</th> <th>Class</th> <th>K</th> <th rowspan="2">Undimensioned bevels</th> <th rowspan="2">1x45°</th> </tr> <tr> <th colspan="6">Linear tolerance (ISO 2768-2)</th> <th>Class</th> <th>m</th> </tr> </thead> <tbody> <tr> <td>0.5</td> <td>&gt;3-</td> <td>&gt;6-</td> <td>&gt;30-</td> <td>&gt;120</td> <td>&gt;400-</td> <td>&gt;1000</td> <td>&gt;2000</td> <td rowspan="2">Undimensioned radii</td> <td rowspan="2">R 0.5</td> </tr> <tr> <td>+3</td> <td>6</td> <td>30</td> <td>120</td> <td>+400</td> <td>+1000</td> <td>+2000</td> <td>+4000</td> </tr> <tr> <td>±0.1</td> <td>±0.1</td> <td>±0.2</td> <td>±0.3</td> <td>±0.5</td> <td>±0.8</td> <td>±1.2</td> <td>±2</td> <td></td> <td></td> </tr> </tbody> </table>		Geometrical tolerance (ISO 2768-2)						Class	K	Undimensioned bevels	1x45°	Linear tolerance (ISO 2768-2)						Class	m	0.5	>3-	>6-	>30-	>120	>400-	>1000	>2000	Undimensioned radii	R 0.5	+3	6	30	120	+400	+1000	+2000	+4000	±0.1	±0.1	±0.2	±0.3	±0.5	±0.8	±1.2	±2			Description	Assembly		
Geometrical tolerance (ISO 2768-2)						Class	K	Undimensioned bevels	1x45°																																										
Linear tolerance (ISO 2768-2)						Class	m																																												
0.5	>3-	>6-	>30-	>120	>400-	>1000	>2000	Undimensioned radii	R 0.5																																										
+3	6	30	120	+400	+1000	+2000	+4000																																												
±0.1	±0.1	±0.2	±0.3	±0.5	±0.8	±1.2	±2																																												
		Date	Name	Drawing No.	Sheet																																														
Designed	25/03/06	A. Bnà		13661-0-D-TC2356	1/1																																														
Draw	25/03/06	A. Bnà																																																	
Checked	X	C. Sedazzari																																																	
<i>Reproduction forbidden without specific authorization</i>																																																			