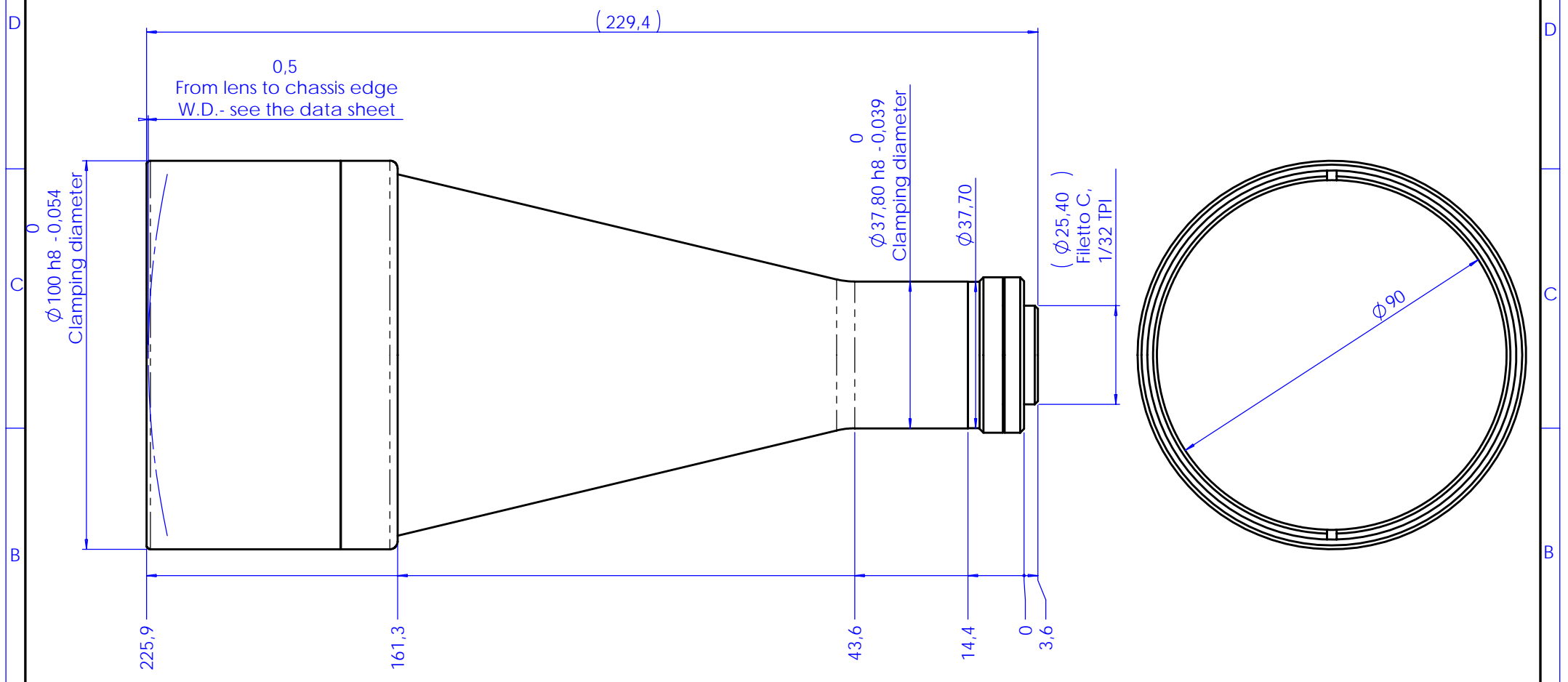


Rev No.	Description	Date	Name
A	First light	01/05/03	A.Vismara
D	Redesign	15/02/06	A.Vismara



Material	N.A.			Mass	1.0 kg	Scale	1:1
Surface treatment	N.A.			Project-Prod.Item/Instrument Telecentric lens 12 64			
Geometrical tolerance (ISO 2768-2)			Class	K	Description		
Linear tolerance (ISO 2768-2)			Class	m	Undimensioned bevels	1x45°	Assembly
0.5	>3-	>6-	>30-	>120	>400-	>1000	
+3	6	30	120	+400	+1000	+2000	R 0.5
±0.1	±0.1	±0.2	±0.3	±0.5	±0.8	±1.2	±2
www.opto-engineering.com			Date	Name		Drawing No.	
			Designed	15/02/06	A.Vismara	01301-0-D	
			Draw	15/02/06	A.Vismara	Sheet	
			Checked	X	C. Sedazzari	1/1	
OPTO ENGINEERING S.r.l. - 46100 Mantova Italy - Via Cremona, 28 - Tel. +39 0376 229585 - e-mail: info@opto-engineering.com - http://www.opto-engineering.com							