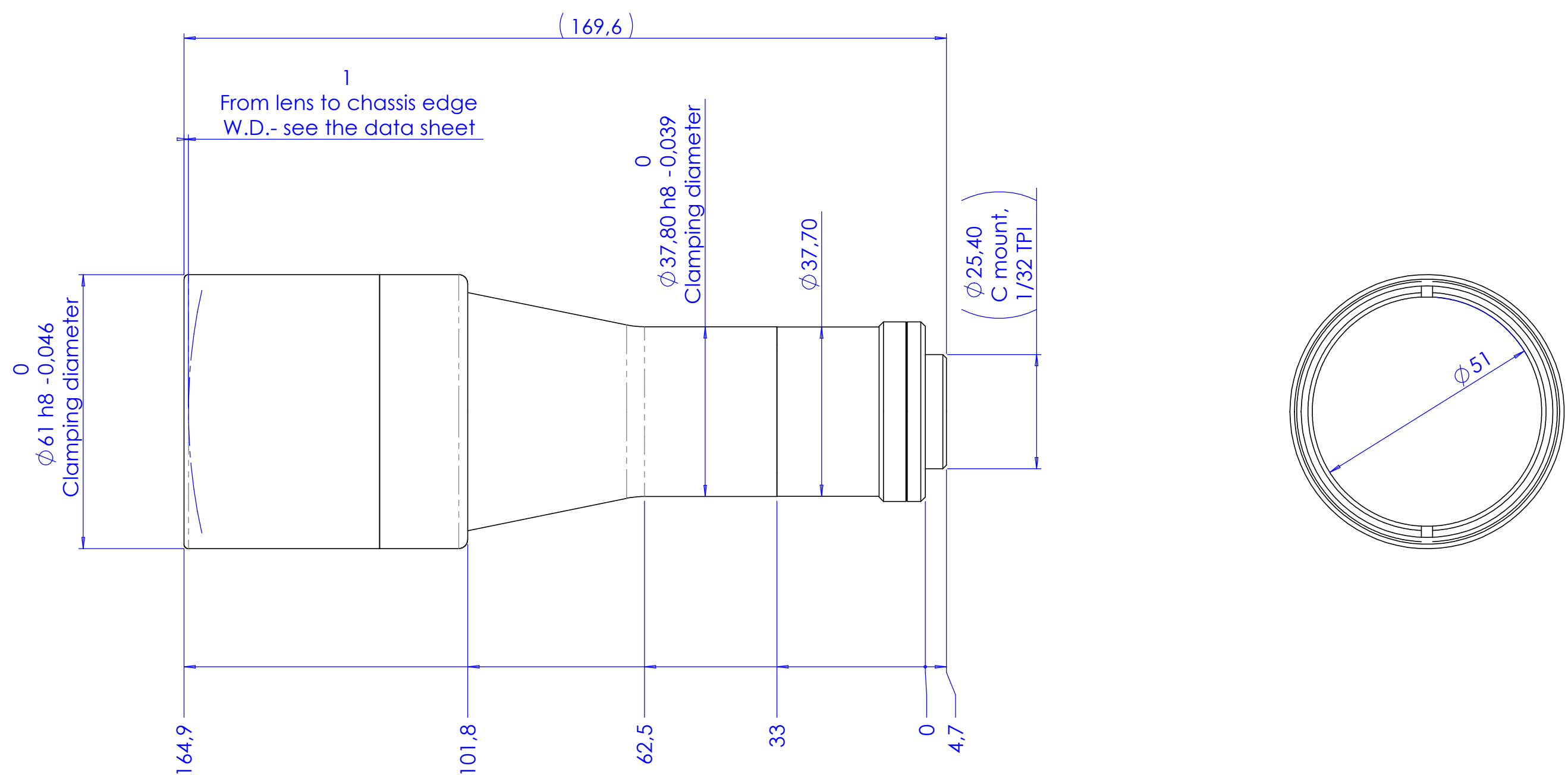


Rev No.	Description	Date	Name
A	First light	01/05/03	A.Vismara
D	Redesign	15/02/06	A.Vismara
E	Length of C thread	12/01/09	A.Vismara



Material	N.A.		Mass	0.52 kg	Scale	1:1
Surface treatment	N.A.		Project-Prod.item/Instrument	Telecentric lens 23 36		
Geometrical tolerance (ISO 2768-2)			Class	K	Undimensioned bevels	1x45°
Linear tolerance (ISO 2768-2)			Class	m	Undimensioned radii	R 0.5
0,5 ±3	>3± 6	>6± 30	>30± 120	>120 ±400	>400± 1000	>1000 ±2000
±0.1	±0.1	±0.2	±0.3	±0.5	±0.8	±1.2
>2000 ±4000	±2	Date		Name		Drawing No.
Designed		15/02/06	A.Vismara		01201-0-E	
Draw		12/01/09	A.Vismara		Sheet	
Checked		X	C. Sedazzari		1/1	
Reproduction forbidden without specific authorization						

