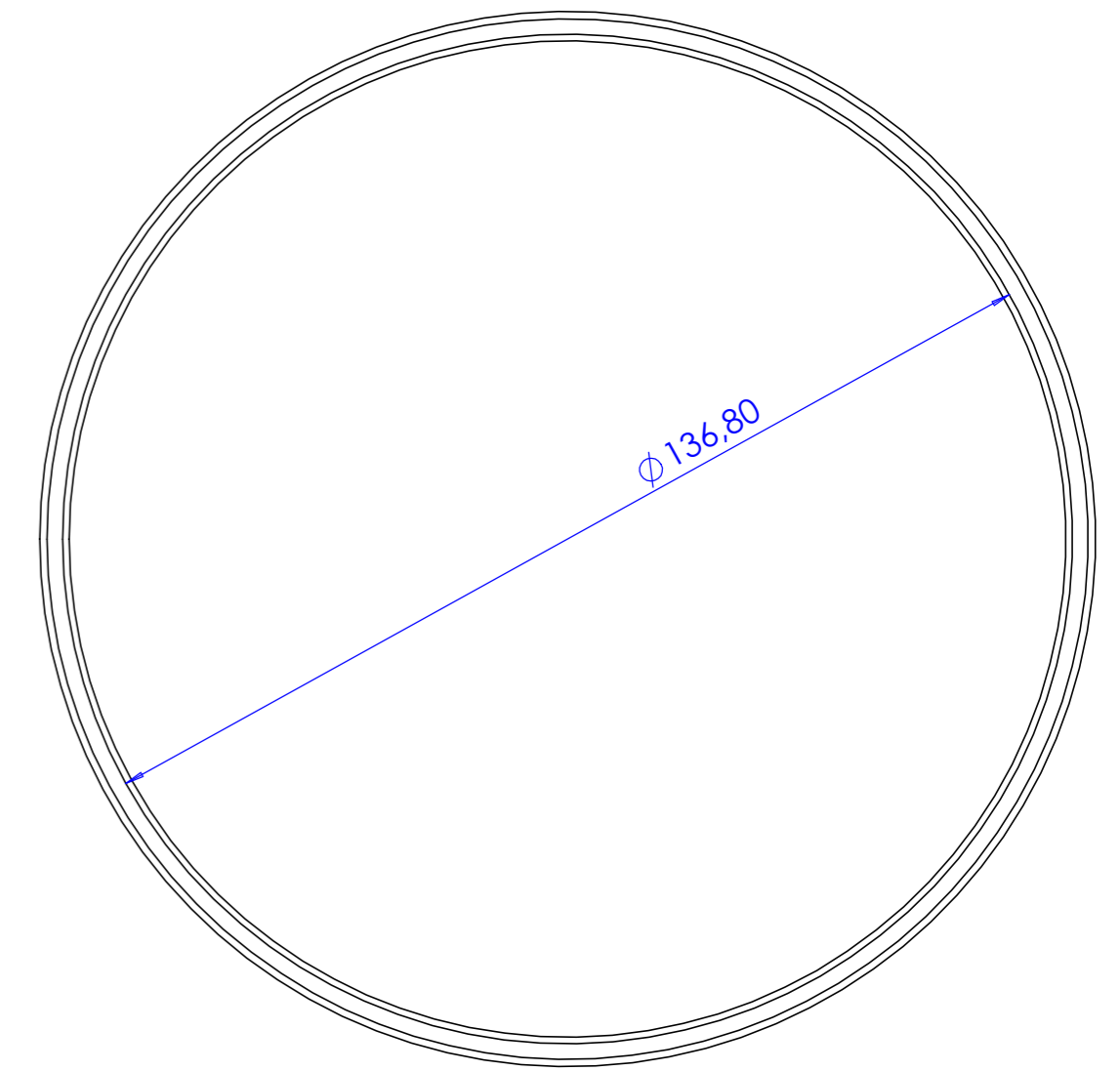
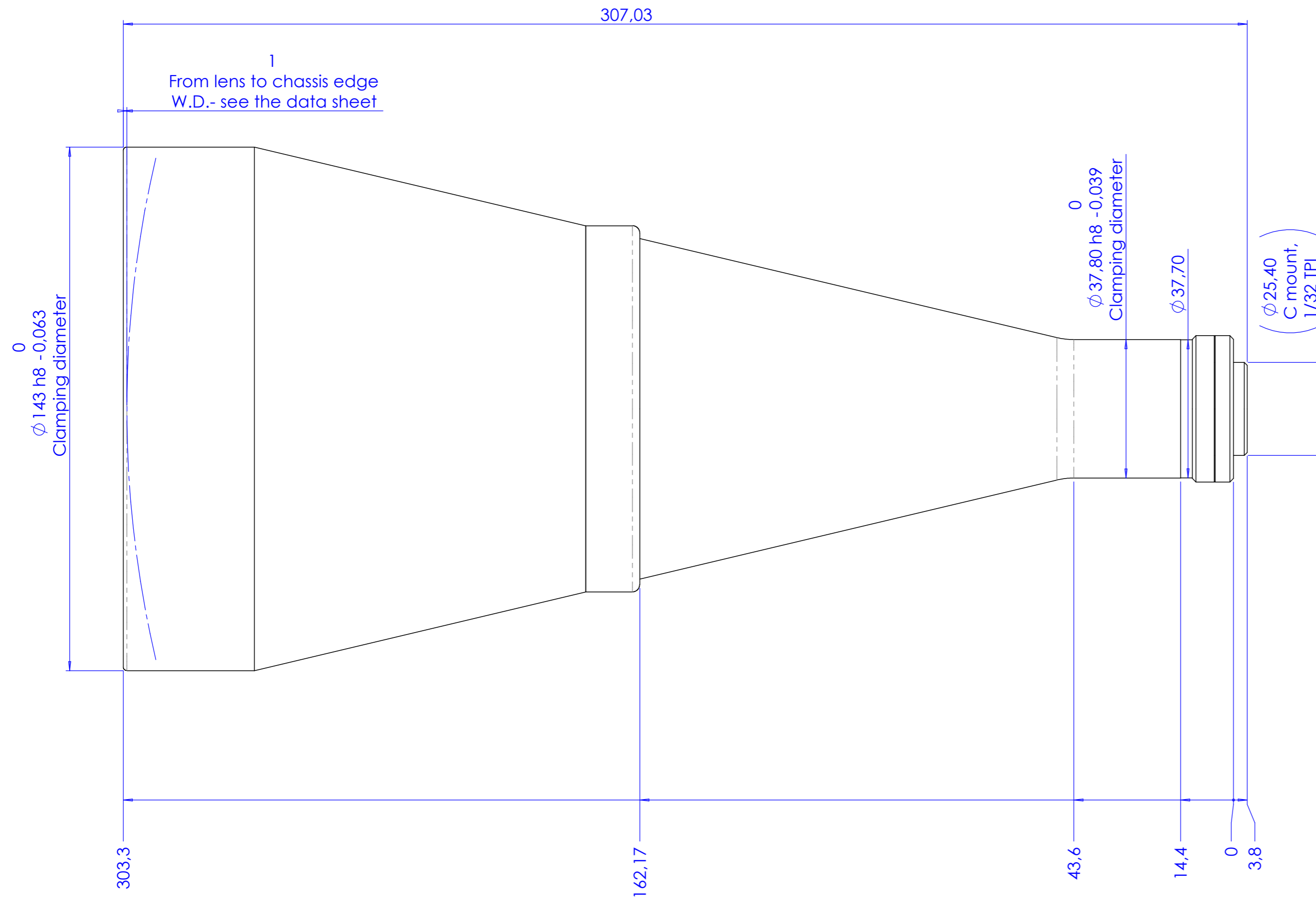


Rev No.	Description	Date	Name
A	First light	01/05/03	A.Vismara
D	Redesign	24/03/06	A.Vismara



Material	N.A.	Mass	2.4 kg	Scale	1:1
Surface treatment	N.A.	Project-Prod.Item/Instrument		Telecentric lens 13 96	
Geometrical tolerance (ISO 2768-2)		Class	K	Undimensioned bevels	1x45°
Linear tolerance (ISO 2768-2)		Class	m	Undimensioned radii	R 0.5
0.5	>3+	>6+	>30+	>120	>400+
+3	6	30	120	+400	+1000
±0,1	±0,1	±0,2	±0,3	±0,5	±0,8
					±1,2
					±2
Description		Date		Name	
Assembly		15/02/06		A.Vismara	
		24/03/06		A.Vismara	
		X		C.Sedazzari	
Drawing No.		Date		Name	
01071-0-D		15/02/06		A.Vismara	
		24/03/06		A.Vismara	
		X		C.Sedazzari	
Sheet		Reproduction forbidden without specific authorization			
1/1					
OPTO ENGINEERING S.r.l. - 46100 Mantova Italy - Via Cremona, 28 - Tel/fax +39 0376 263525+ - e-mail: info@opto-engineering.com - http://www.opto-engineering.com					