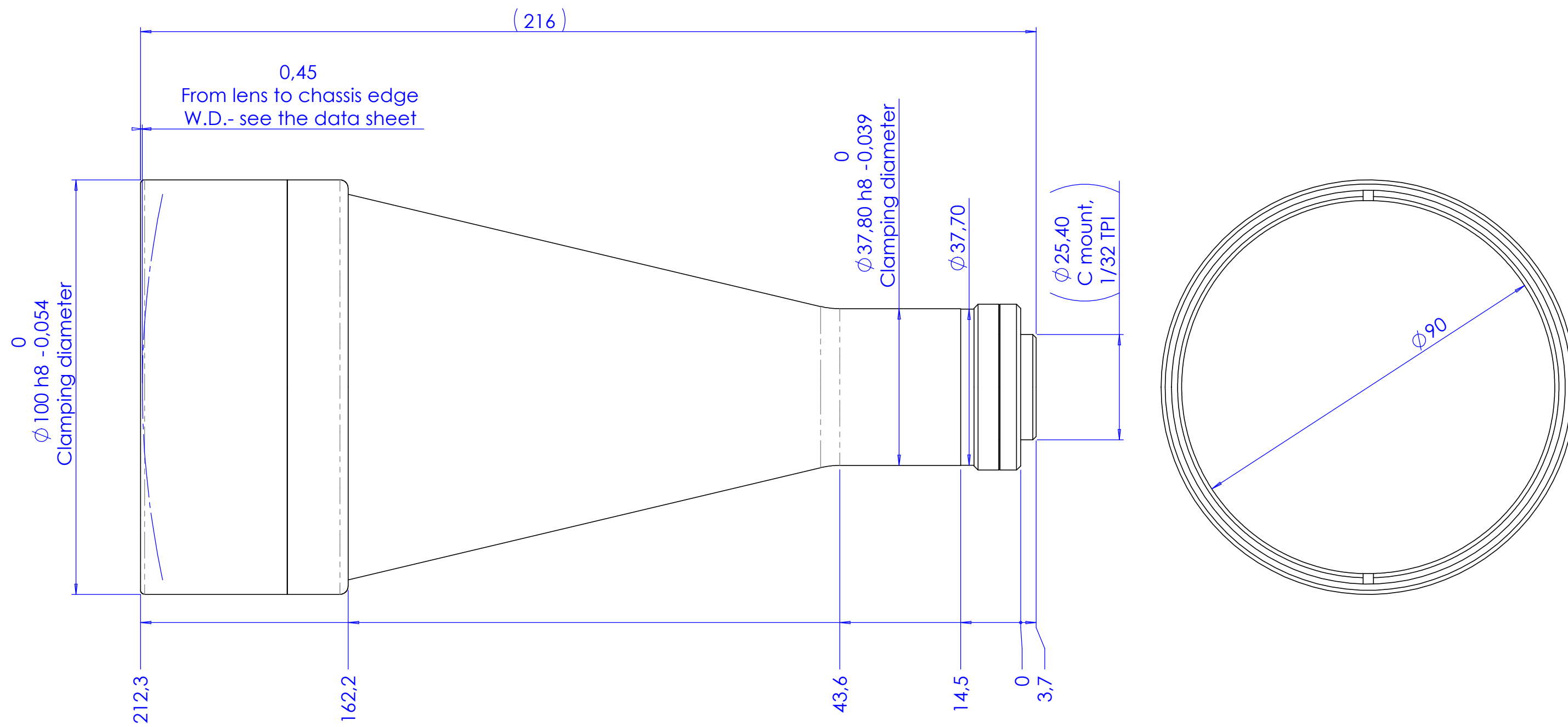


Rev No.	Description	Date	Name
A	First light	01/05/03	A.Vismara
D	Redesign	24/03/06	A.Vismara



Material	N.A.	Mass	1.0 kg	Scale	1:1
Surface treatment	N.A.	Project-Prod.item/Instrument Telecentric lens 13 64			
Geometrical tolerance (ISO 2768-2)		Class	K	Description	
Linear tolerance (ISO 2768-2)		Class	m	Undimensioned bevels	1x45°
0,5 ±3	>3± 6	>6± 30	>30± 120	>120 ±400	>400± 1000
±0.1	±0.1	±0.2	±0.3	±0.5	±0.8
				>1000 ±2000	>2000 ±4000
				±1.2	±2
				Undimensioned radii	R 0.5
		Date	Name	Drawing No.	Sheet
		Designed	15/02/06	A.Vismara	01051-0-D
		Draw	24/03/06	A.Vismara	1/1
		Checked	X	C. Sedazzari	
Reproduction forbidden without specific authorization					
OPTO ENGINEERING S.r.l. - 46100 Mantova Italy - Via Cremona, 28 - Tel. +39 0376 263525 - e-mai: info@opto-engineering.com - http://www.opto-engineering.com					