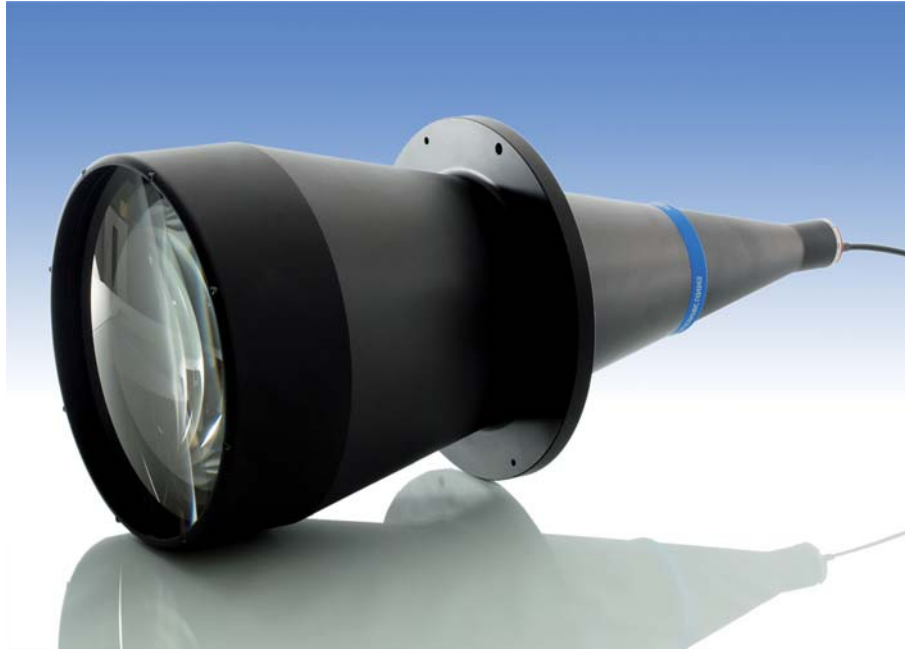


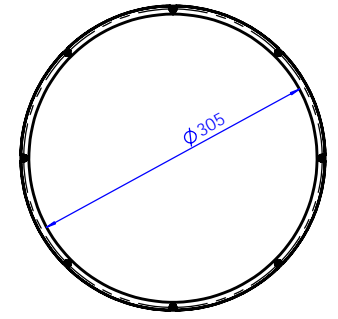
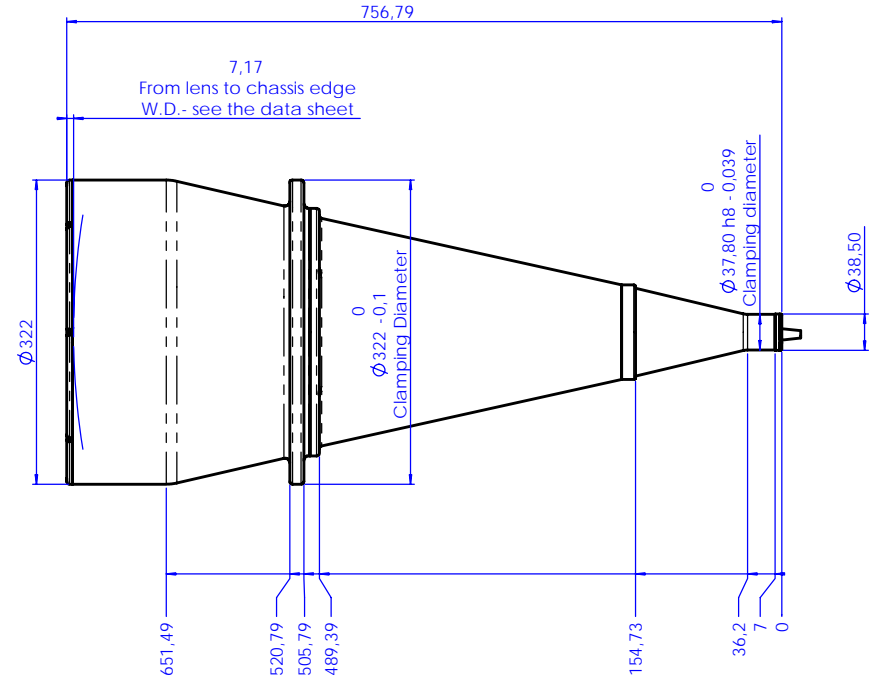
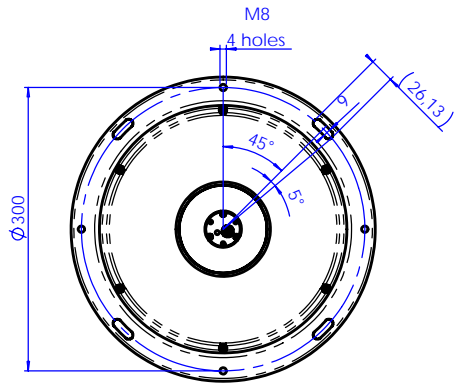
LT CL 240

Collimated Illuminator



part number	LT CL 240/X	
Beam Diameter	(mm)	300,0
Available Colours		
/R (red)		x
/G (green)		x
/B (blue)		
/W (white)		
/IR890 (IR, peak 890 nm)		
/IR890 (IR, peak 940 nm)		
Length	(mm)	756,8
Outer Diameter	(mm)	322,0
Compatible Telecentric Lenses		
	TC 13	n.a.
	TC 12	n.a.
	TC 23	200, 240
	TC 4M	200, 240
	TC 2M	n.a.
	TC16M	n.a.
DEVICE POWER RATINGS		
DC Voltage	(volt)	12 to 24
Power Consumption	(watt)	< 2 watt
LED DIRECT DRIVE RATINGS		
for /W, /B and /G versions		
Max Forward DC Voltage	(volt)	3,5
Max Forward Current	(mA)	350
for /R version		
Max Forward DC Voltage	(volt)	2,5
Max Forward Current	(mA)	350
for /IR890 and /IR940 versions		
Max Forward DC Voltage	(volt)	1,6
Max Forward Current	(mA)	500 mA

Rev No.	Description	Date	Name
A	First light	06/02/07	A.Vismara
B	New LED holder	10/05/08	A.Vismara



Material	N.A.		Mass	19.5 kg	Scale	1:4
Surface treatment	N.A.		Project-Prod.Item/Instrument	LT CL 240		
Geometrical tolerance (ISO 2768-2)			Class	K	Undimensioned Bevels	1x45°
Linear tolerance (ISO 2768-2)			Class	m	Undimensioned radii	R 0.5
0.5	>3-	>6-	>30-	>120	>400-	>1000
-3	A	A	30	120	400	1000
±0.1	±0.1	±0.2	±0.3	±0.5	±0.8	±1.2
Date			Name			
Designed			10/05/08	A.Vismara		
Draw			10/05/08	A.Vismara		
Checked			x	C.Sedazzari		
www.opto-engineering.com			Reproduction forbidden without specific authorization			
OPTO ENGINEERING S.r.l. - 46100 Mantova Italy - Via Cremona, 29/2 - Tel. +39 0376 263525 - e-mail: info@opto-engineering.com - http://www.opto-engineering.com			Drawing No.			
			01284-0-B			
			Sheet			
			1/1			