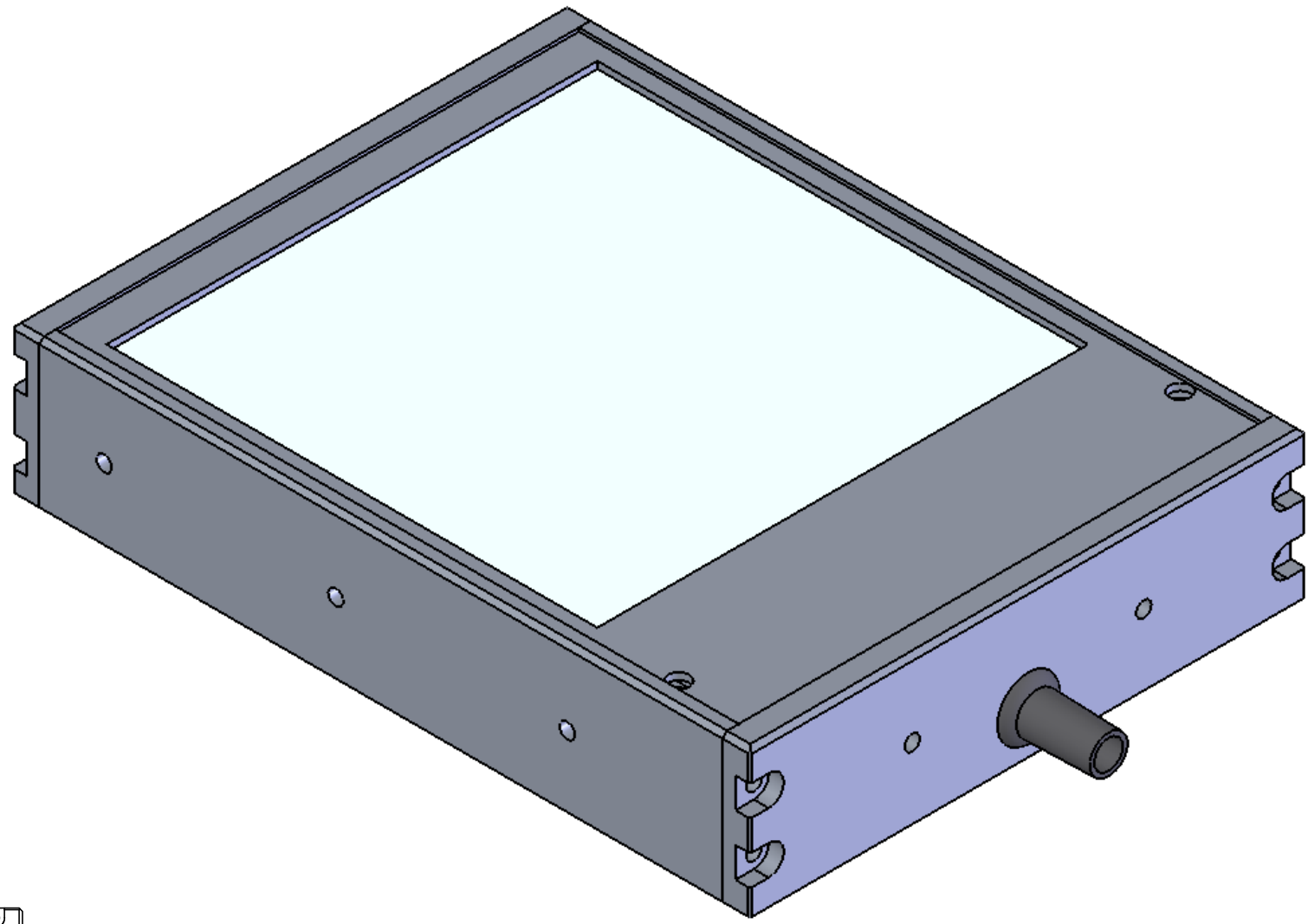
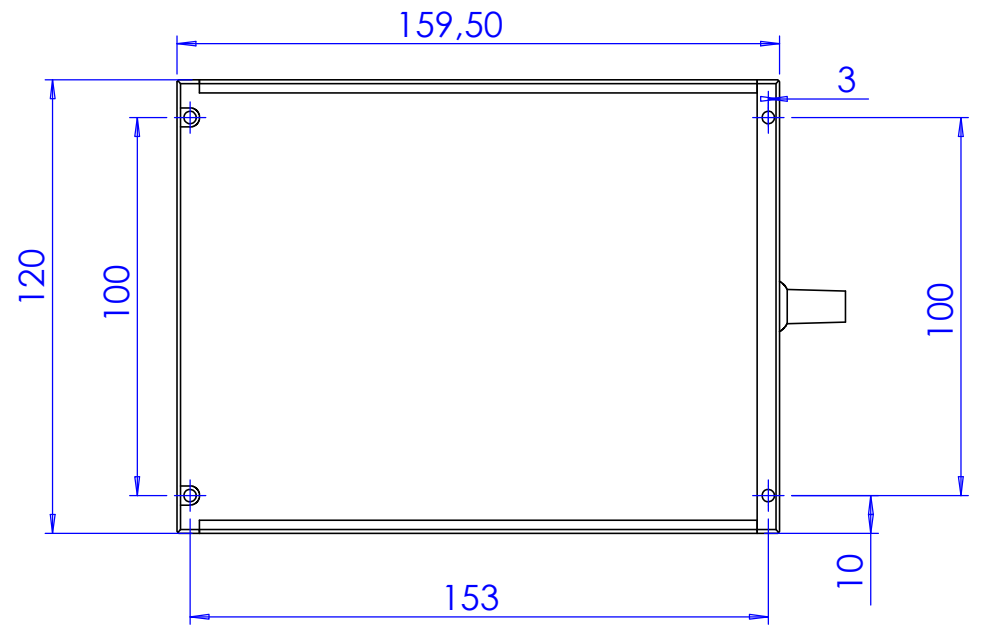
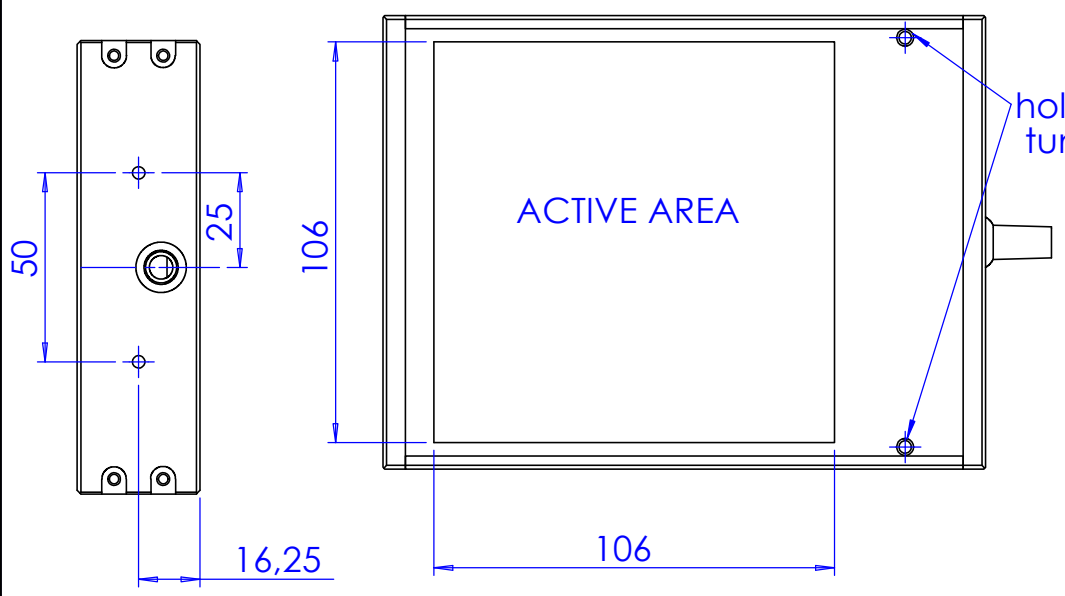
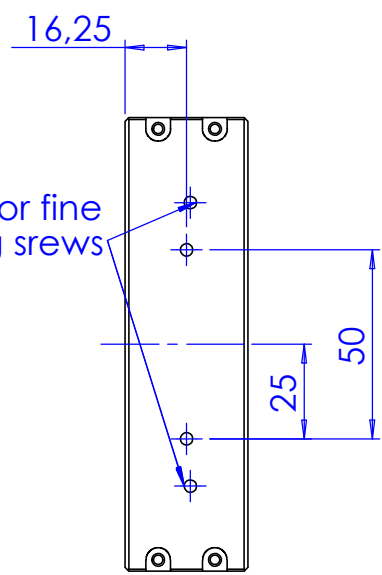
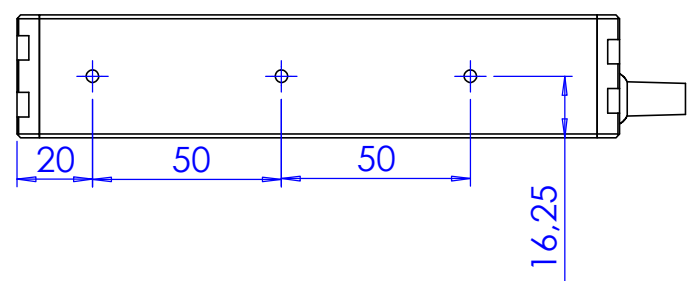


Rev No.	Description	Date	Name
A	New Assembly	11/12/08	N. Santini



1:1



Material	N.A.			Mass	490 g	Scale	1:2
Surface treatment	N.A.			Project-Prod.item/Instrument		LTK80	
Geometrical tolerance (ISO 2768-2)			Class	K	Description		
Linear tolerance (ISO 2768-2)			Class	m	Layout		
0,5	>3÷	>6÷	>30÷	>120	>400÷	>1000	>2000
±3	6	30	120	±400	1000	±2000	±4000
±0.1	±0.1	±0.2	±0.3	±0.5	±0.8	±1.2	±2
Undimensioned bevels			1x45°		Drawing No.		
Undimensioned radii			R 0.5		XXXXXXXXXX		
Date		Name		Drawing No.		Sheet	
Designed 23/04/08		N. Santini		XXXXXXXXXX		1/1	
Draw 23/04/08		N. Santini		Reproduction forbidden without specific authorization			
Checked X		C.Sedazzari		www.opto-engineering.com			