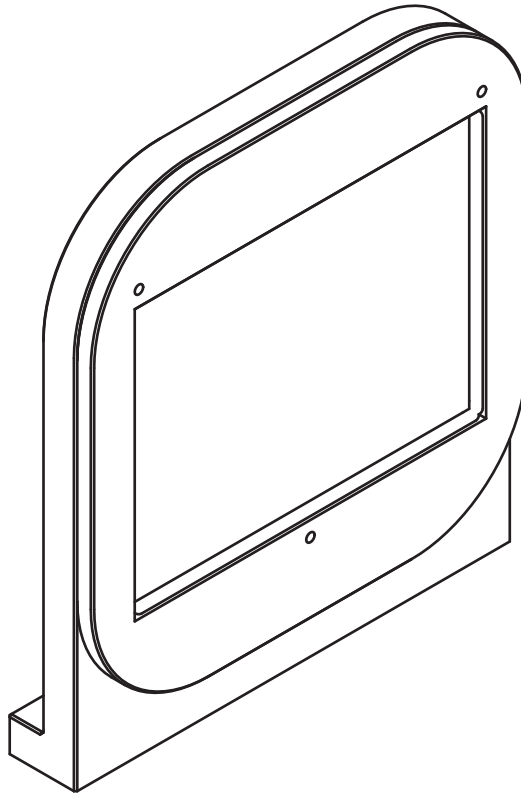


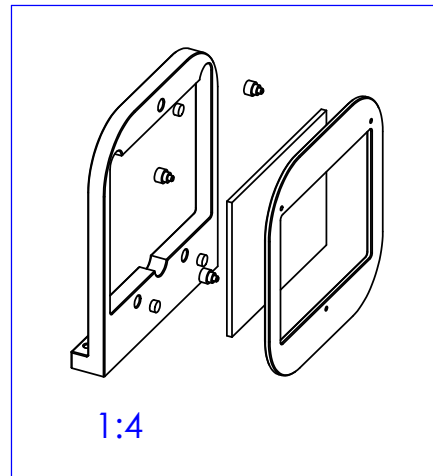
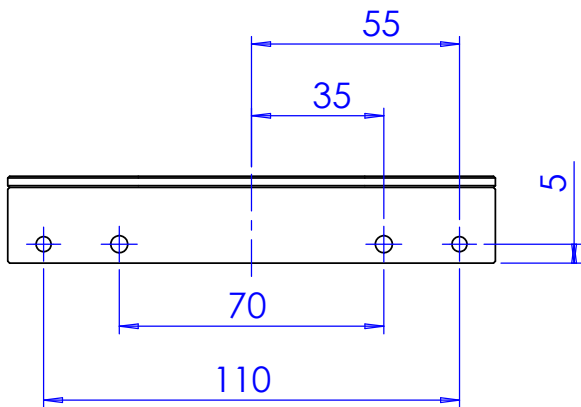
CMPH064-096

Pattern Holder For PT064-096 Type Patterns

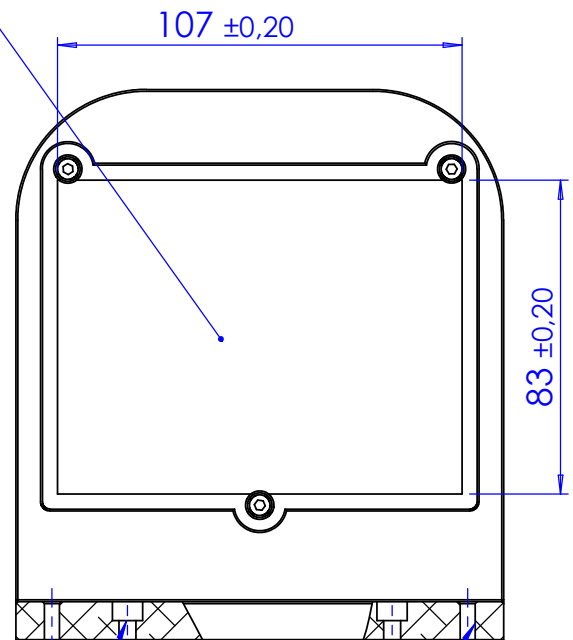
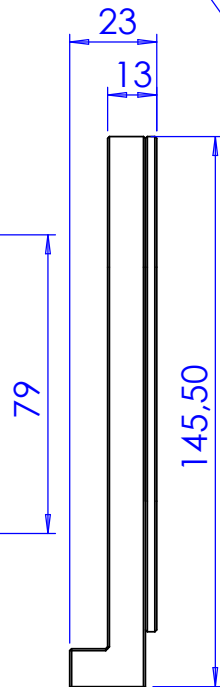
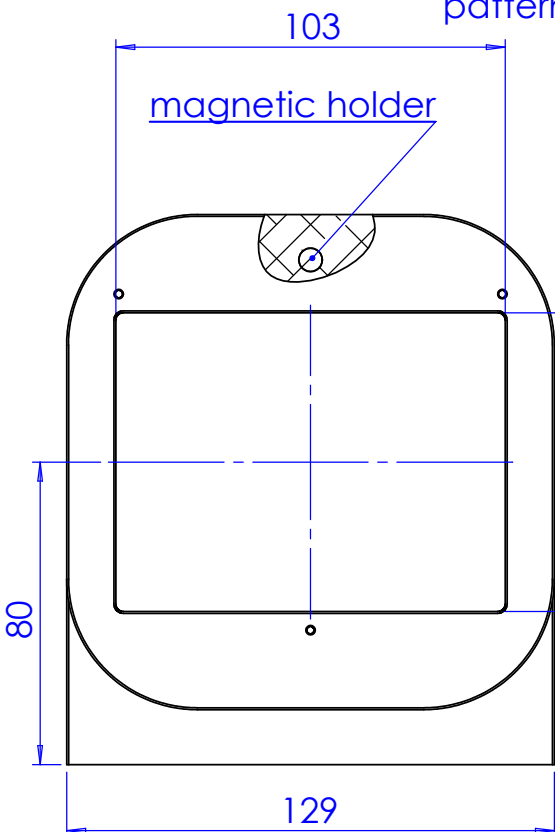


part number		CMPH064-096
Compatible Optics		PT064-096
Width	(mm)	129,0
Height	(mm)	145,5
Thickness	(mm)	25,0
Weight	(g)	611

Rev No.	Description	Date	Name
A	New Part	17/09/09	N. Santini
B	decreased frame thickness	16/10/09	N. Santini



removable chrome on glass pattern



counterbored holes for M4 screws

Ø 4 F6 dowelling holes

Material		N.A.			Mass	611.2 g	Scale	1:2	
Surface treatment		N.A.			Project-Prod.item/Instrument CMPH064-096				
Geometrical tolerance (ISO 2768-2)				Class	K	Description CMHO064-096			
Linear tolerance (ISO 2768-2)				Class	m				
0.5 ±3	>3÷ 6	>6÷ 30	>30÷ 120	>120 ±400	>400÷ 1000				>1000 ±2000
±0.1	±0.1	±0.2	±0.3	±0.5	±0.8	±1.2	±2	Undimensioned radii	R 0.5
 www.opto-engineering.com		Date		Name		Drawing No.		Sheet	
		Designed		17/09/09		N. Santini		18954-0-B	1/1
		Draw		17/09/09		N. Santini			
Checked		X		C. Sedazzari		Reproduction forbidden without specific authorization			